

**Request for Proposals (RFP)
Town of Columbia
Recreation Park Pavilion Framing
Columbia, CT
Solicitation Number 003-2021**



TOWN OF COLUMBIA

323 Jonathan Trumbull Highway, Columbia, CT 06237
(860) 228-0110 Fax: (860) 228-1952

The Town of Columbia is accepting sealed bids for the RFP for Recreation Park Pavilion Framing, Roofing, and Siding at Hennequin Rd., Columbia CT at the Town Administration Office at Town Hall, 323 Route 87, Columbia, Connecticut, until **10:00 AM on January 14, 2022**. Thereafter, the names of those submitting qualifications and proposals will be read aloud.

The RFP documents will be available from the Town Administration Office at Town Hall, 323 Route 87, Columbia, Connecticut, telephone number (860) 228-0110 or the Town's website, www.columbiact.org. After bids are received, the Town Administrator may analyze whether vendors have submitted comparable bids and meet the requirements called for. In reviewing the bids, the Town Administrator may consider the past performance, financial responsibility, and sales and service experience of the vendors. The Town reserves the right to reject any or all bids, to waive any defects in same, or to choose to make purchases other than strictly in accordance with price considerations, and/or to choose other than the lowest bidder, if it be deemed in the best interest of the Town of Columbia.

**Request for Proposals (RFP)
Town of Columbia
Recreation Park Pavilion Framing
Columbia, CT
Solicitation Number 003-2021**

TABLE OF CONTENTS

INTRODUCTION..... 3

 KEY EVENT DATES..... 3

 OBTAINING RFP & PLAN DOCUMENTS 3

 QUESTIONS ABOUT PROPOSAL REQUIREMENTS..... 3

 SPECIAL INSTRUCTIONS 3

 RFQ&P RESPONSE SUBMISSION INSTRUCTIONS 3

 PRESUMPTION OF CONTRACTOR BEING FULLY INFORMED..... 4

 INTERPRETATION OF ACCEPTABLE WORK 4

 TAX EXEMPTIONS 4

 INSURANCE 5

 1) General Conditions: 5

 2) Insurance Limits and Coverage: 6

 INDEMNIFICATION AND HOLD HARMLESS 7

 PERMITS 7

 FAIR EMPLOYMENT PRACTICES 7

 TERMS AND CONDITIONS OF CONTRACT 7

 AWARDING THE CONTRACT..... 7

GENERAL INSTRUCTIONS 9

 INSTRUCTIONS FOR CONTRACTORS SUBMITTING RESPONSES..... 9

 EVALUATION AND SELECTION CRITERIA..... 9

 SELECTION PROCEDURES 9

 RESPONSE FORM # 1 REQUIRED RESPONSE 10

 RESPONSE FORM #2 REQUIRED RESPONSE 11

 RESPONSE FORM #3 REQUIRED RESPONSE 12

EXHIBIT A – GENERAL DESCRIPTION OF WORK, MATERIALS AND SCOPE OF SERVICES. 13

 PART 1 – GENERAL 13

 1.1 Description of Work 13

Exhibit B – SAMPLE CONTRACT FOR Rec Park Pavilion Framing 14

 Description of Work..... 14

Request for Proposals (RFP)
Town of Columbia
Recreation Park Pavilion Framing
Columbia, CT
Solicitation Number 003-2021

INTRODUCTION

THE TOWN OF COLUMBIA is soliciting bids from Qualified firms, including individuals (hereinafter "Contractor" or "Firm") interested in providing excavation and septic system installation services at its recreation facility on Hennequin Road.

KEY EVENT DATES

Advertisement of RFP	December 27, 2021
Public Opening of Responses	10:00 am, January 14, 2022
Contract Awarded	January 19, 2022

OBTAINING RFP & PLAN DOCUMENTS

Specifications and RFP documents may be obtained from The RFP documents will be available from the Town Administration Office at Town Hall, 323 Route 87, Columbia, Connecticut, telephone number (860) 228-0110 or the Town's website, www.columbiact.org. A copy of the plans can be obtained at Columbia Town Hall in the **Building Department**. Questions may be addressed through the building office 860-228-0440.

QUESTIONS ABOUT PROPOSAL REQUIREMENTS

Respondents with questions regarding the submission requirements may contact the following purchasing agent of the Town of Columbia in writing at least three (3) days before bid opening by email: Jason Nowosad, jnowosad@columbiact.org.

SPECIAL INSTRUCTIONS

All questions or inquiries must be **submitted in writing at least three (3) days** before bid opening.

RFQ&P RESPONSE SUBMISSION INSTRUCTIONS

- A. **One (1) original and two (2) copies** of all responses must be submitted in a sealed envelope clearly marked "**REC PARK FRAMING BID**". If forwarded by mail or courier, the sealed envelope must be addressed to "Town Administrator Town of Columbia, 323 Route 87, Columbia, Connecticut 06237". Responses must be at the office of the Town Administrator by the time of the Public Opening of Responses date noticed in Section 2 titled Key Event Dates. Postmarks are NOT an acceptable waiver of this policy. Corrections and/or modifications received after the first response is publicly opened will NOT be accepted. Late submittals will be rejected.
- B. Ditto marks or words such as "SAME" on the Response Form are NOT considered writing and must not be used.
- C. All information must be submitted in ink or typewritten. Mistakes may be crossed out and corrections inserted. Corrections must be initialed by the person signing the response.

Request for Proposals (RFP)
Town of Columbia
Recreation Park Pavilion Framing
Columbia, CT
Solicitation Number 003-2021

- D. Responses are considered valid for ninety (90) days after response(s) are opened. Contractors submitting responses may not withdraw, cancel or modify their response for a period of ninety (90) days after response(s) are opened.
- E. Responses must be signed by an authorized person representing the legal entity of the firm submitting the response.
- F. The inability to meet any specified requirements(s) must be stated in writing and attached to the response form or written on the response form.
- G. Any and all exceptions of the respondent to the terms and specifications of this RFP shall be made in writing and submitted in full with the proposal.
- H. The respondent shall bear all costs associated with submitting its RFP.
- I. Any and all written RFP documents submitted to the Town shall be property of the Town and therefore shall be subject to public disclosure under the Freedom of Information Act.

PRESUMPTION OF CONTRACTOR BEING FULLY INFORMED

At the time the first response is opened, each Contractor is presumed to have read and be thoroughly familiar with all RFP and contract documents herein. Failure or omission of the Contractor to receive or examine any information shall in no way relieve any Contractor from obligations with respect to their response.

The Town may, before or after proposal opening and in its sole discretion, clarify, modify, amend or terminate this RFP if the Town determines it is in the Town's best interest. Any such action shall be affected by a posting on the Town's website, www.columbiact.org. Each respondent is responsible for checking the Town's website to determine if the Town has issued any addenda and, if so, to complete its proposal in accordance with the RFP as modified by the addenda.

INTERPRETATION OF ACCEPTABLE WORK

The specifications, response and contract documents are to be interpreted as meaning those acceptable to the TOWN of COLUMBIA. Any substantive changes or interpretations will be issued by the Town in writing as an addendum.

TAX EXEMPTIONS

The TOWN of COLUMBIA is exempt from Federal Excise taxes and Connecticut Sales and Use taxes. Firms shall avail themselves of these exemptions.

Request for Proposals (RFP)
Town of Columbia
Recreation Park Pavilion Framing
Columbia, CT
Solicitation Number 003-2021

INSURANCE

The firm awarded this contract must provide a current Certificate of Insurance to the Town Administrator PRIOR to commencement of work, with the following requirements:

1) **General Conditions:** Within ten (10) business days of the award or notice, or prior to the start of work, whichever comes first, the contractor/insured will provide, pay for, and maintain in full force and effect the insurance outlined here for coverage's at not less than the prescribed minimum limits of liability. Such coverage is to remain in force during the life of the contract and for such additional time as may be required, and will cover the contractor/insured's activities, those of any and all subcontractors, or anyone directly or indirectly employed by any of them, or by anyone for whose acts of them may be liable.

A. **Certificates of insurance:** The contractor/insured will give the Town of Columbia a certificate of insurance completed by a duly authorized representative of their insurer certifying that at least the minimum coverage's required here are in effect and specifying that the liability coverage's are written on an occurrence form and that the coverage's will not be canceled, non-renewed, or materially changed by endorsement or through issuance of other policy(ices) of insurance without sixty (60) days advance written notice to the Town of Columbia's, Town Administrator.

Failure of the owner to demand such certificate or other evidence of full compliance with these insurance requirements or failure of the town to identify a deficiency from evidence provided will not be construed as a waiver of the contractor/insured's obligation to maintain such insurance.

B. **Insurer Qualifications:** All Insurance will be provided through companies authorized to do business in the State of Connecticut and considered acceptable by the Town.

C. **Additional Insured:** The policy or policies providing insurance as required, with the exception of professional liability and worker's compensation, Contractor shall add the Town of Columbia on all insurance policies. Contractor shall provide the Town of Columbia with a certificate of insurance. Contractor insurance shall be primary and non-contributory.

D. **Retroactive Date and Extended Reporting Period:** Any coverage written on a claims made basis requires an extended reporting period of at least 36 months upon final payment or date of project completion, whichever occurs later.

E. **Subcontractors' Insurance:** The contractor will require and cause each subcontractor hired and/or employed by the contractor to purchase and maintain insurance of the types specified below. When requested by the town, the contractor will furnish copies of certificates of insurance evidencing coverage for each subcontractor. Any coverage written on a claims made basis requires an extended reporting period of at least 36 months upon final payment or date of project completion, whichever occurs later.

Request for Proposals (RFP)
Town of Columbia
Recreation Park Pavilion Framing
Columbia, CT
Solicitation Number 003-2021

- F. **Waiver of Subrogation:** The contractor shall waive subrogation and all rights of recovery against the Town of Columbia. Contractor will require all insurance policies related to the work and secured and maintained by the contractor to include clauses waiving subrogation in the certificate of insurance. The contractor/insured will require of subcontractors, by appropriate written agreements, similar waivers each in favor of all parties enumerated in this section.
- G. **Hold Harmless:** To the fullest extent permitted by law, Contractor shall defend, indemnify and hold harmless the Town of Columbia, and their boards, employees and agents from and against all claims, damages, losses, judgments and expenses, including but not limited to attorney fees of counsel selected by the Town, that arise from or may arise from the performance of the work, the supplying of materials and/or the breach of this Agreement provided that such claim, loss, damage, judgment and/or loss expense is attributable to bodily injury, sickness, disease or death, or to injury or destruction of tangible property (other than the work itself) but only to the extent caused by the negligent acts or omissions of the Contractor, subcontractors, anyone directly or indirectly employed by them or anyone for whose acts they may be liable, regardless of whether or not such claim, damage, loss, or expense is caused in part by a party indemnified hereunder.

2) Insurance Limits and Coverage:

- A. To the extent applicable, the amounts and types of insurance will conform to the minimum terms and conditions and coverages of the national Insurance Services Office (ISO) policies, forms, and endorsements.
- B. If the contractor/insured has self-insured retention's or deductibles under any of the following minimum required coverage's, the contractor/insured must identify on the certificate of insurance the nature and amount of such self-insured retention's or deductibles and provide satisfactory evidence of financial responsibility for such obligations. All self-insured retention's or deductibles will be the contractor/insured's sole responsibility.
- C. Commercial General Liability: The contractor/insured will maintain commercial general liability insurance covering all operations by or on behalf of the contractor/insured on an occurrence basis against all claims for personal injury (including bodily injury or death) and property damage (including loss of use). Such insurance will have these minimum limits:
- \$ 1,000,000 each occurrence.
 - \$ 1,000,000 each occurrence if blasting is required.
 - \$ 2,000,000 general aggregate with dedicated limits per project site.
 - \$ 2,000,000 products and completed operations aggregate.
 - \$ 1,000,000 personal and advertising injury.

Request for Proposals (RFP)
Town of Columbia
Recreation Park Pavilion Framing
Columbia, CT
Solicitation Number 003-2021

- D. Automobile Liability: The contractor/insured will maintain business auto liability coverage for liability arising out of any auto, including owned, hired, and non-owned autos.
- E. Workers' Compensation: The contractor/insured will maintain workers' compensation and employer's liability insurance in the following minimum limits:
 - Workers' Compensation: statutory limits.
 - Employer's Liability: \$1,000,000 bodily injury for each accident.
 - Employer's Liability: \$1,000,000 bodily injury by disease each employee.
 - Employer's Liability: \$1,000,000 bodily injury disease aggregate.
- F. Professional Liability: \$1,000,000
- G. Governing Law: This agreement shall be governed by the laws of the State of Connecticut.
- H. These are minimum insurance limit requirements only. Additional insurance coverage's and amounts may be required by the Town of Columbia on a per project basis.

INDEMNIFICATION AND HOLD HARMLESS

To the fullest extent permitted by law the Contractor shall defend, indemnify and hold harmless the Town, its officers, officials, employees and volunteers from any and all claims, injuries, damages, losses or suits including attorney fees, arising out of or in connection with the performance of services hereunder, except for injuries and damages caused by the sole negligence of the Town.

PERMITS

The Contractor is solely responsible for obtaining all required permits, obtaining all necessary inspections and approvals, and satisfying any and all fees. The Town will waive all TOWN of COLUMBIA fees for building permits and inspections.

FAIR EMPLOYMENT PRACTICES

The Contractor agrees not to discriminate against any employee or applicant for employment in the performance of this RFP's work with respect to hire, tenure, terms, conditions, or privileges of employment due to race, sex, age, religion, national origin, or other condition proscribed by State or Federal law.

TERMS AND CONDITIONS OF CONTRACT

The terms, conditions, and requirements of the contract for Rec Park Pavilion Framing are detailed in the attached specimen contract.

AWARDING THE CONTRACT

The TOWN of COLUMBIA reserves the right to accept or reject, any, all, or any part of responses, to waive formalities or informalities, and to make awards that are deemed to be in the best interests of the Town.

**Request for Proposals (RFP)
Town of Columbia
Recreation Park Pavilion Framing
Columbia, CT
Solicitation Number 003-2021**

It is the Town's policy to not award to those who owe TOWN of COLUMBIA prior year(s) property taxes.

The "Contract Awarded" date in section 2. entitled Key Event Dates is the date the contract is anticipated to be awarded. It is not a date certain.

The lowest priced response is NOT the sole determining factor when making awards.

END OF STANDARD INSTRUCTIONS TO PROPOSERS

Request for Proposals (RFP)
Town of Columbia
Recreation Park Pavilion Framing
Columbia, CT
Solicitation Number 003-2021

GENERAL INSTRUCTIONS

INSTRUCTIONS FOR CONTRACTORS SUBMITTING RESPONSES

The services to be performed under the Contract are more particularly described in **Exhibit A** attached hereto. Requirements as to how the services are to be performed are set forth in the Sample Contract, **Exhibit B**, attached hereto.

EVALUATION AND SELECTION CRITERIA

THE TOWN OF COLUMBIA will base its evaluation of responses on the following criteria, which are not necessarily in order of importance:

- a) The Contractor's understanding of the work as evidenced by the quality of the response submitted.
- b) The background and experience of the Contractor in providing services requested and past successful history of assignments on an as-needed basis.
- c) The demonstrated effectiveness of the Contractor's proposed service delivery system to ensure quality service and timely completion of services in an efficient manner.
- d) The background, education, qualifications and relevant experience of key personnel to be assigned to this contract that would work with the Town on a regular basis. Also, the qualifications of any subcontractors or subcontractors the Contractor intends to use in the performance of this contract.
- e) The appropriate licenses, if applicable held by Contractor's staff and subcontractors.
- f) References attesting to the quality of similar services performed.
- g) Competitiveness of proposed fees and costs, although the Town is not bound to select the Contractor(s) who proposes the lowest fees and costs.
- h) The Town reserves the right to negotiate fees with the selected Contractor(s).
- i) Any other factor or criterion that THE TOWN OF COLUMBIA, in its sole discretion, deems or may deem relevant or pertinent for such evaluation.
- j) Contractor's willingness to execute the contract as provided.

SELECTION PROCEDURES

- a) The Town of Columbia reserves the right to reject any and all bids, to waive technical defects and make such award including accepting a bid, although not the low bid, as it deems in its sole discretion to be in the best interest of the Town of Columbia, or as funding allows.
- b) Responses submitted in response to this RFQ&P will be reviewed against the Selection Criteria listed above.
- c) A Selection Committee may assist the Town in choosing a Contractor(s) to provide the requested services.
- d) Contractors submitting the most comprehensive and qualified responses may be invited to an interview with a Selection Committee.
- e) The Town intends to enter into contracts with the Contractor(s) whose responses are determined to best meet the needs of the Town.

END OF GENERAL INSTRUCTIONS TO PROPOSERS

**Request for Proposals (RFP)
Town of Columbia
Recreation Park Pavilion Framing
Columbia, CT
Solicitation Number 003-2021**

**TOWN OF COLUMBIA, CONNECTICUT
RESPONSE FORM # 1 REQUIRED RESPONSE**

RECREATION PARK PAVILION FRAMING penalty of perjury and other remedies available to the TOWN of COLUMBIA, the undersigned certifies this response is submitted without collusion and all responses are true and accurate. If selected to perform services(s) hereunder, it is agreed this form's a contractual obligation to provide such services at fees specified in Response Form #2, subject to and in accordance with all instructions, responses and contract documents, including any addenda, which are all made part of this response.

Signature of Authorized Person	Date
Printed Name of Authorized Person	
Company Title of Authorized Person	
Name of Company	
Address of Company	
Address of Company	
City, State, and Zip Code	
Telephone Number	Facsimile Number
e-mail address	

END OF RESPONSE FORM #1

**Request for Proposals (RFP)
Town of Columbia
Recreation Park Pavilion Framing
Columbia, CT
Solicitation Number 003-2021**

**TOWN OF COLUMBIA, CONNECTICUT
RESPONSE FORM #2 REQUIRED RESPONSE**

RECREATION PARK PAVILION FRAMING

I, WE, the undersigned, hereby agree to furnish and deliver at the lump sum cost named herein, the following items, subject to and in accordance with specifications and conditions contained herein, all of which are made a part of this proposal.

TOTALS

1. Framing, Siding, roofing, and doors and windows, Materials and Labor for building as drawn and specified in Plans titled Recreation Park Pavilion by Brewster Architects dated September 28, 2021	<hr style="border: 0; border-top: 1px solid black;"/>
2. Add/alternate: Please provide alternate cost/ reduction in cost as well as cut sheets for alternative doors.	<hr style="border: 0; border-top: 1px solid black;"/>
3. Add/alternate: Please provide alternate cost/ reduction in cost as well as cut sheets for Tuff-Rib Roofing rather than standing seam roofing.	<hr style="border: 0; border-top: 1px solid black;"/>

BIDDING
COMPANY: _____

ADDRESS: _____

COMPANY REP: _____

SIGNATURE: _____ DATE: _____

TELEPHONE: _____ EMAIL: _____

THE TOWN RESERVES THE RIGHT TO ACCEPT OR REJECT PROPOSALS IN WHOLE OR IN PART DUE TO TECHNICAL DEFECTS, BUDGET LIMITATIONS OR ANY LEGAL REASON DEEMED TO BE IN THE IN THE TOWN'S BEST INTEREST.

END OF RESPONSE FORM #2

Request for Proposals (RFP)
Town of Columbia
Recreation Park Pavilion Framing
Columbia, CT
Solicitation Number 003-2021

TOWN OF COLUMBIA, CONNECTICUT
RECREATION PARK PAVILION FRAMING
SAMPLE CONTRACT
RESPONSE FORM #3 REQUIRED RESPONSE

Under penalty of perjury and other remedies available to THE TOWN of COLUMBIA, the undersigned certifies:

- Contractor agrees to execute the Sample Contract (Exhibit B), or
- Contractor takes the following exceptions to the Sample Contract (Exhibit B):

Paragraph	Exception

END OF RESPONSE FORM #3

Request for Proposals (RFP)
Town of Columbia
Recreation Park Pavilion Framing
Columbia, CT
Solicitation Number 003-2021

EXHIBIT A – GENERAL DESCRIPTION OF WORK, MATERIALS AND SCOPE OF SERVICES

TOWN OF COLUMBIA, CONNECTICUT
RECREATION PARK PAVILION FRAMING

GENERAL

1) Description of Work

The Town of Columbia is seeking proposals for framing, roofing, and siding a new Pavilion at its recreation facility on Hennequin Road. The following, as well as the plans titled Recreation Park Pavilion by Brewster Architects dated September 28, 2021, are the general requirements, please feel free to propose different materials or methods, but please provide justification for those differences as part of your proposal.

Bid should include a lump sum cost for the following:

- a) All Framing materials and labor
- b) All exterior siding materials and Labor; do not include interior finish materials or labor
- c) Roofing materials and labor

Add/alternate: Please provide a cost difference for alternate doors, and for Tuff-Rib roofing.

A copy of the plans can be obtained at Columbia Town Hall in the Building Department.

Request for Proposals (RFP)
Town of Columbia
Recreation Park Pavilion Framing
Columbia, CT
Solicitation Number 003-2021

SAMPLE

Exhibit B – SAMPLE CONTRACT FOR Rec Park Pavilion Framing

Contract for
Rec Park Pavilion Framing
by and between
THE TOWN OF COLUMBIA
and

This Contract is by and between THE TOWN OF COLUMBIA, a municipal corporation having its territorial limits within the County of Tolland, and State of Connecticut, hereinafter referred to as the **Town**, and _____, whose address is _____, hereinafter referred to as the **Contractor**.

WHEREAS, the Town is seeking qualified firms (including individuals) interested in providing Labor and Materials for the framing, roofing, and siding of a Pavilion building at Rec Park.

WHEREAS, the Contractor is qualified, ready, willing, and able to perform such services for an agreed upon compensation,

NOW, THEREFORE,

The Town and Contractor do mutually covenant and agree as follows:

1. Scope of Services

1.1 General

The Contractor agrees to provide, THE TOWN OF COLUMBIA construction on a pavilion per the attached documents at its recreation facility on Hennequin Road.

Description of Work

The Town of Columbia is seeking proposals for framing, roofing, and siding a new Pavilion at its recreation facility on Hennequin Road. The following, as well as the plans titled Recreation Park Pavilion by Brewster Architects dated September 28, 2021, are the general requirements, please feel free to propose different materials or methods, but please provide justification for those differences as part of your proposal.

Request for Proposals (RFP)
Town of Columbia
Recreation Park Pavilion Framing
Columbia, CT
Solicitation Number 003-2021

SAMPLE

Bid should include a lump sum cost for the following:

- a) All Framing materials and labor
- b) All exterior siding materials and Labor; do not include interior finish materials or labor
- c) Roofing materials and labor

2. Technical Standards

The Contractor shall perform all work in accordance with good construction practice and all applicable local, state and federal industry standards.

3. Compensation

3.1 Negotiated Fee

The fee proposal shall include the lump sum cost to the Town of providing the proposed services, unless another cost basis is approved by the Town (e.g., unit cost). If applicable, the costs shall be listed for each task or phase. If requested by the Town, additional information such as the estimated number of man-hours of each position classification per task or phase shall be submitted. The fee proposal shall include an allowance for estimated reimbursable expenses for normal reimbursable out-of-pocket costs such as outside printing costs and approved subcontractor and subcontractor fees. All anticipated reimbursable expenses for each specific project shall be itemized in the fee proposal, with unit and estimated total costs listed for each expense. Reimbursement shall be for actual out-of-pocket costs including the services of subcontractors and shall not include a mark-up and shall not be made for normal overhead expenses such as office supplies, telephone charges, mileage, and inside copying and printing.

Once the scope of services, schedule, proposed staffing plan, and the proposed compensation have been accepted by the Town, the Town will authorize the Contractor to proceed with the work, which shall be performed in accordance with the accepted proposal and the terms and conditions of this Contract.

Request for Proposals (RFP)
Town of Columbia
Recreation Park Pavilion Framing
Columbia, CT
Solicitation Number 003-2021

SAMPLE

The Contractor shall prepare and submit invoices accompanied by such documentation as may be required by the Town. Payments will be made to the Contractor within 30 days of Town approval of each invoice. Payments are conditioned upon the satisfactory performance of all work. In the event that the Town determines the Contractor to be in nonconformance with the terms of this Contract or if in the Town's judgment the Contractor's work is not satisfactory, the Town may take corrective action, including, but not limited to, the following:

- 1) Delay of payment
- 2) Adjustment of payment
- 3) Suspension or termination of this Contract

The Contractor agrees to meet with representatives of the Town, at no cost to the Town, to discuss billing issues as the Town deems necessary. Payments to the Contractor will be made on a periodic basis in accordance with the percentage of work actually completed. Payments for each phase of the work within the project will be prorated based upon the amount of work actually completed within that phase. Except in the case of work which is performed on an hourly rate basis, the amount of the payment for a fixed fee task will not be based simply on the amount of hours expended by the Contractor on the task.

4. Management and Administration of the Contract

The Town's designated Managing Authority for this Contract will be the Town Administrator, or his authorized designee, who will have complete authority to act for and on behalf of the Town and control, supervise, and direct the Contractor's activities hereunder. The Managing Authority will make all arrangements for services by the Contractor. All proposals for work to be done under this Contract and any resulting expenditures must be approved by said Managing Authority before any work is initiated or any expenditure made. Services are to be provided by the Contractor, except where the use of specific subcontractors have been approved in writing by the Town for a particular project.

The Contractor's primary contact person will be _____, who will communicate and report directly to the Town's Managing Authority, be responsible for directing and coordinating the activities of the firm's personnel and approved subcontractors and subcontractors, provide information for projects assigned under this Contract as may be required from time to time by the Town and shall be authorized to prepare and execute proposals, including scopes of services, fee proposals, proposed staffing plans, and schedules as requested by the Town under this Contract.

Request for Proposals (RFP)
Town of Columbia
Recreation Park Pavilion Framing
Columbia, CT
Solicitation Number 003-2021

SAMPLE

The Contractor and the Town shall work closely together in all aspects of this program, and each shall follow the reasonable suggestions of the other to improve the operation of the program.

5. Relationship Between the Parties

It is mutually agreed that the Contractor, including its employees, is an independent contractor and not an officer, employee, or agent of the Town, and that this Contract is a contract for services and not a contract of employment, and that, as such, the Contractor and its employees shall not be entitled to any employment benefits from the Town such as, but not limited to: vacation, sick leave, insurance, workers' compensation, pension and retirement benefits. All personnel matters affecting Contractor's staff will be the responsibility of the Contractor.

In no event shall anything in this Contract be deemed to confer upon any person or entity agency status or third-party beneficiary rights against the Town.

6. Indemnification and Hold Harmless Contract

To the fullest extent permitted by law the Contractor shall at all times indemnify and save harmless the Town and its officers, agents, and employees on account of and from any and all claims, damages, losses, workers' compensation payments, judgments, litigation expenses, and legal counsel fees arising out of injuries to persons (including death) or damage to property alleged to have been caused in whole or in part by the willful, wanton, or negligent acts or omissions of the Contractor, his employees, subcontractors, subcontractors, or materialmen. The existence of insurance shall in no way limit the scope of this indemnification. The Contractor shall reimburse the Town for damage to property of the Town caused by the Contractor, or his employees, subcontractors, subcontractors, or materialmen.

7. Insurance

The selected Contractor shall furnish a Certificate of Insurance evidencing the following insurance coverage in effect on or before the date of execution of this Contract. Insurance coverage shall remain in full force for the duration of the Contract term, including any extensions. Renewal certificates shall be furnished at least thirty (30) days prior to policy expiration. Failure to maintain insurance coverage as required and to name the Town as an Additional Insured will be grounds for termination of the Contract. The interest of the Town shall be included in all insurance policies required herein, except Workers' Compensation and Professional Liability, as Additional Insured as its interest may appear, which shall be noted on the Certificate of Insurance, and shall include, but not be limited to, investigation, defense, and payment of settlement or judgment. Such insurance must be written by companies of recognized standing, qualified and licensed to engage in the insurance business in the State of

Request for Proposals (RFP)
Town of Columbia
Recreation Park Pavilion Framing
Columbia, CT
Solicitation Number 003-2021

SAMPLE

Connecticut. All deductibles are the sole responsibility of the Contractor to pay and/or indemnify.

The Contractor awarded this proposal must provide a current Certificate of Insurance to the Town Administrator PRIOR to commencement of work, with the following requirements:

Insured Limits and Coverage:

- A. To the extent applicable, the amounts and types of insurance will conform to the minimum terms and conditions and coverages of the national Insurance Services Office (ISO) policies, forms, and endorsements.
- B. If the contractor/insured has self-insured retention' s or deductibles under any of the following minimum required coverage's, the contractor/insured must identify on the certificate of insurance the nature and amount of such self-insured retentions or deductibles and provide satisfactory evidence of financial responsibility for such obligations. All self-insured retentions or deductibles will be the contractor/insured's sole responsibility.
- C. Commercial General Liability: The contractor/insured will maintain commercial general liability insurance covering all operations by or on behalf of the contractor/insured on an occurrence basis against all claims for personal injury (including bodily injury or death) and property damage (including loss of use).

Such insurance will have these minimum limits:

- \$ 1,000,000 each occurrence.
 - \$ 1,000,000 each occurrence if blasting is required.
 - \$ 2,000,000 general aggregate with dedicated limits per project site.
 - \$ 2,000,000 products and completed operations aggregate.
 - \$ 1,000,000 personal and advertising injury.
- D. Automobile Liability: The contractor/insured will maintain business auto liability coverage for liability arising out of any auto, including owned, hired, and non-owned autos.
 - E. Workers' Compensation: The contractor/insured will maintain workers' compensation and employer's liability insurance in the following minimum limits:
 - Workers' Compensation: statutory limits.
 - Employer's Liability: \$1,000,000 bodily injury for each accident.
 - Employer's Liability: \$1,000,000 bodily injury by disease each employee.
 - Employer's Liability: \$1,000,000 bodily injury disease aggregate.
 - F. Professional Liability: \$1,000,000.

Request for Proposals (RFP)
Town of Columbia
Recreation Park Pavilion Framing
Columbia, CT
Solicitation Number 003-2021

SAMPLE

- G. Governing Law: This agreement shall be governed by the laws of the State of Connecticut.
- H. These are minimum insurance limit requirements only. Additional insurance coverage's and amounts may be required by the Town of Columbia on a per project basis.

8. Ethics and Conflict of Interest

In order to avoid perceived or actual conflicts of interest, the Contractor shall disclose to the Town any known special personal or financial interests, beyond those applicable to the general public, of the Contractor, its employees, subcontractors, or subcontractors, regarding any matter that they are working on under this Contract. The Town will determine if a significant conflict of interest exists, and if necessary, will assign the work to others to avoid the conflict of interest.

9. Events of Default and Remedies

9.1 Events of Default

Any of the following occurrences or acts shall constitute an Event of Default under this Contract:

- 9.1.1 If in the opinion of the Town, default shall have been made by the Contractor, its successors or assigns, in the performance or observance of any of the covenants, conditions or Contracts on the part of the Contractor set forth in this Contract; or
- 9.1.2 If in the opinion of the Town, the Contractor fails to deliver services by the dates agreed upon for any specific project and the Contractor has not received written approval from the Town for an extension to the agreed upon schedule; or
- 9.1.3 If any determination shall have been made by a competent authority such as, but not limited to, any authorized federal, state or local government official, or a certified public accountant, that the Contractor's management or any accounting for its funding, from whatever source, is improper, inadequate or illegal, as such management or accounting may relate to the Contractor's performance of this Contract; or

Request for Proposals (RFP)
Town of Columbia
Recreation Park Pavilion Framing
Columbia, CT
Solicitation Number 003-2021

SAMPLE

- 9.1.4 If a decree or order by a court having jurisdiction in the matter shall have been entered adjudging the Contractor as bankrupt or insolvent or approving as properly filed a petition seeking reorganization, readjustment, arrangement, composition or similar relief for the Contractor under the federal bankruptcy laws, or any other similar applicable federal or state law.

9.2 Election of Remedies

If any Event of Default hereunder shall have occurred and be continuing, the Town may elect to pursue any one or more of the following remedies, in any combination or sequence:

- 9.2.1 Take such action as it deems necessary, including, without limitation, reduction of payment or temporary withholding of payment.
- 9.2.2 Require the Contractor to pay Liquidated Damages in the amount of five hundred dollars (\$500), or one percent of the total compensation for the project on which it has contracted to work, whichever is less, per calendar day to the Town until the work is complete.
- 9.2.3 Suspend work under the Contract.
- 9.2.4 Require the Contractor to correct or cure such default to the satisfaction of the Town.
- 9.2.5 Terminate this Contract for cause in accordance with Section 11 hereof.

The selection of any remedy shall not prevent or stop the Town from pursuing any other remedy and shall not constitute a waiver by the Town of any other right or remedy.

10. Termination of Contract

10.1 Termination

“Termination”, for purposes of this Contract, shall mean the cessation, upon the effective date of termination, of the following obligations only: The Contractor’s obligation to perform the services described in Section 1, Scope of Services, of this Contract, and the Town’s obligation, as described in Section 4, Compensation, of this Contract, to pay for such services.

10.2 Termination for Cause

Upon the occurrence of any Event of Default, as set forth in Section 10.1 hereof, the Town may terminate this Contract by giving five (5) days’ written notice thereof to the Contractor.

Request for Proposals (RFP)
Town of Columbia
Recreation Park Pavilion Framing
Columbia, CT
Solicitation Number 003-2021

SAMPLE

10.3 Payment upon Termination

In the event this Contract is terminated as herein provided, the Town shall make full payment to the Contractor for all authorized services performed up to and including the date of termination.

11. Amendments

This Contract may be amended by written instrument executed by the parties hereto, acting therein by their duly authorized representatives. The Contractor's duly authorized representative shall be _____, and the Town's duly authorize representative shall be the Managing Authority.

12. Establishment and Maintenance of Records

The Contractor agrees to establish and maintain fiscal control and accounting procedures that assure proper accounting for all funds paid by the Town to the Contractor under this Contract. The Contractor agrees that all records with respect to all matters covered by this Contract shall be maintained during the term of this Contract, including any renewal or extension, and for one full year following termination or expiration.

13. Audits

At any time during normal business hours, and as often as may be deemed necessary, the Contractor shall make available to the Town, for examination, all records with respect to all matters covered by this Contract.

14. Reports and Information

The Contractor shall furnish the Town with such information and reports concerning the progress and management of this project as may be required from time to time. The form of said reports shall be determined by the Town.

15. Non-Assignability

The Contractor shall not assign or transfer any interest in this Contract without prior written consent of the Town.

16. Severability

If any provision of this Contract is held invalid, the remainder of this Contract shall continue in full force and effect.

Request for Proposals (RFP)
Town of Columbia
Recreation Park Pavilion Framing
Columbia, CT
Solicitation Number 003-2021

SAMPLE

17. Cumulative Remedies

All rights and remedies of the Town hereunder shall be cumulative and the exercise or beginning of the exercise by the Town of any of its rights or remedies hereunder shall not preclude the Town from exercising any other right or remedy granted hereunder or permitted by law.

18. Governing Law

This Contract shall be governed by, and construed in accordance with, the laws of the State of Connecticut.

19. Subcontractors and Subcontractors

Portions of this work may be subcontracted, provided that:

19.1 The Town shall give prior approval to such subcontract in writing.

19.2 All of the terms, covenants, conditions and provisions of this Contract shall have been incorporated in such subcontract(s) and the subcontractor(s) and subcontractor(s) shall have agreed in writing to assume, perform and be bound by this Contract and all the terms, covenants, conditions and provisions hereof.

19.3 The Town shall not be liable for payment of any wages, materials, or other expenses of any subcontractors or subcontractors.

20. Gender/Number/Title

Words of any gender used in this Contract shall be held and construed to include any other gender, and words in the singular shall be held and construed to include the plural, unless the Contract requires otherwise. In the event of any discrepancy or conflict between the name and title of any person referred to in this Contract, the title shall prevail.

Request for Proposals (RFP)
Town of Columbia
Recreation Park Pavilion Framing
Columbia, CT
Solicitation Number 003-2021

SAMPLE

21. Notices

All notices, approvals, demands, requests, or other documents required or permitted under this Contract, other than routine communications necessary for the day-to-day operation of this contract, shall be deemed properly given if hand delivered or sent by United States mail, first class postage, to the following addresses:

As to the Town:

As to the Contractor:

(The Managing Authority designated
in Section 5 of this Contract)
323 Route 87
Columbia, CT 06237

22. Non-Waiver

Any failure by the Town or the Contractor to insist upon the strict performance by the other of any of the terms and provisions hereof shall not be a waiver, and each party hereto, notwithstanding any such failure, shall have the right thereafter to insist upon the strict performance by the other, of any and all of the terms and provisions of the Contract and neither party hereto shall be relieved of such obligation by reason of the failure of the other to comply with or otherwise enforce any of the provisions of this Contract.

23. Delinquency in Obligations

The Contractor hereby agrees that throughout the period of the Contract, all taxes, debts, contractual obligations, and audit responsibilities owed to the Town shall be and shall remain current.

24. Ownership of Work Product

All work produced under this Contract shall be the property of the Town. The Contractor shall turn over to the Town all original documents and other work products upon completion or demand.

25. Entire Contract

This Contract, and its exhibits attached hereto and referenced herein, contain the entire understanding between the parties hereto and supersedes any and all prior understandings, negotiations, and Contracts, whether written or oral, between them respecting the written subject matter.

**Request for Proposals (RFP)
Town of Columbia
Recreation Park Pavilion Framing
Columbia, CT
Solicitation Number 003-2021**

SAMPLE

IN WITNESS THEREOF, the TOWN OF COLUMBIA and the CONTRACTOR have executed this Contract on this _____ day of _____, 2022.

TOWN OF COLUMBIA

Reviewed:

By: Jason Nowosad
Title: Facilities Manager

Approved:

By: Mark B. Walter
Title: Town Administrator

Witness:

CONTRACTOR

Approved:

Signature

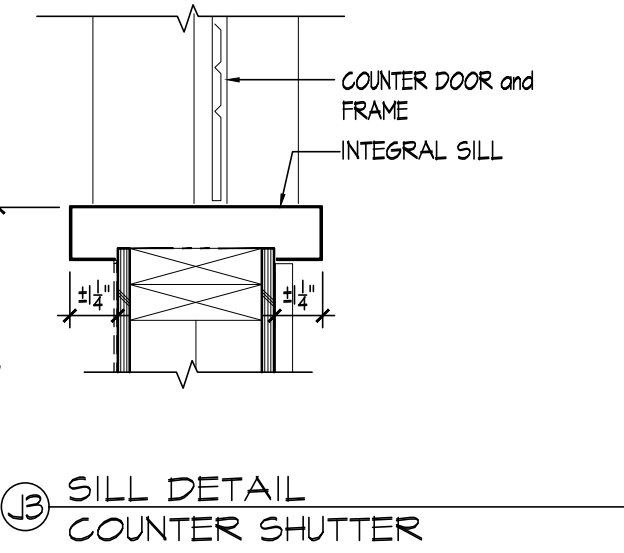
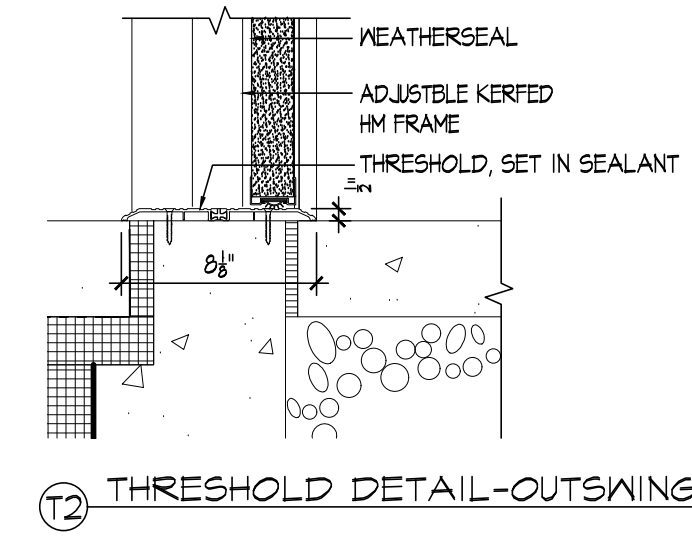
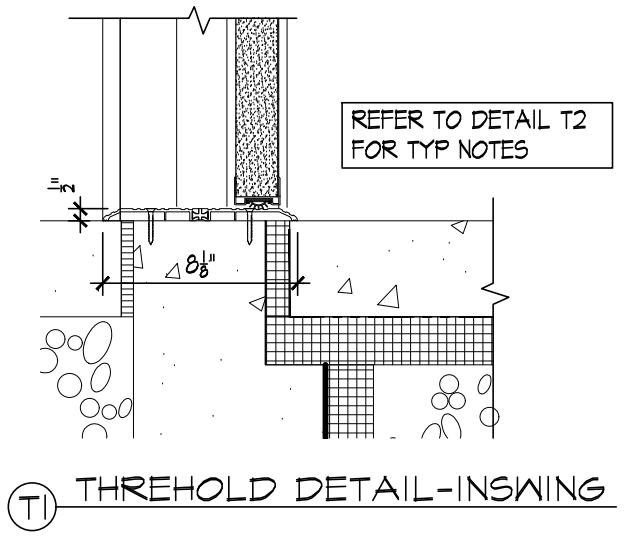
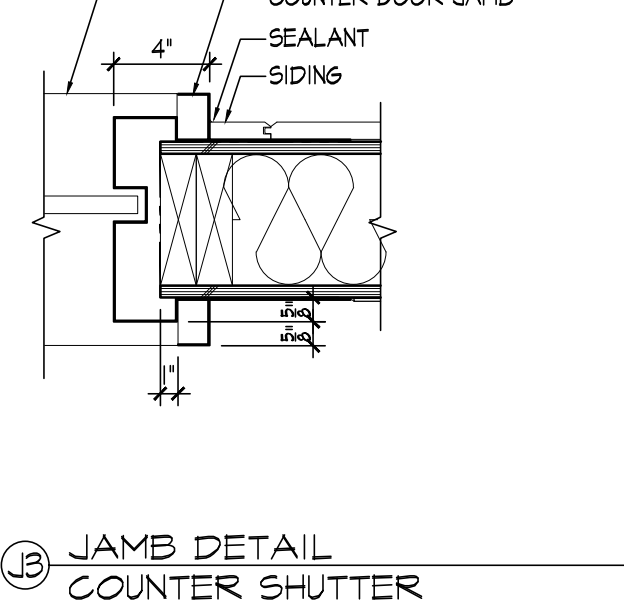
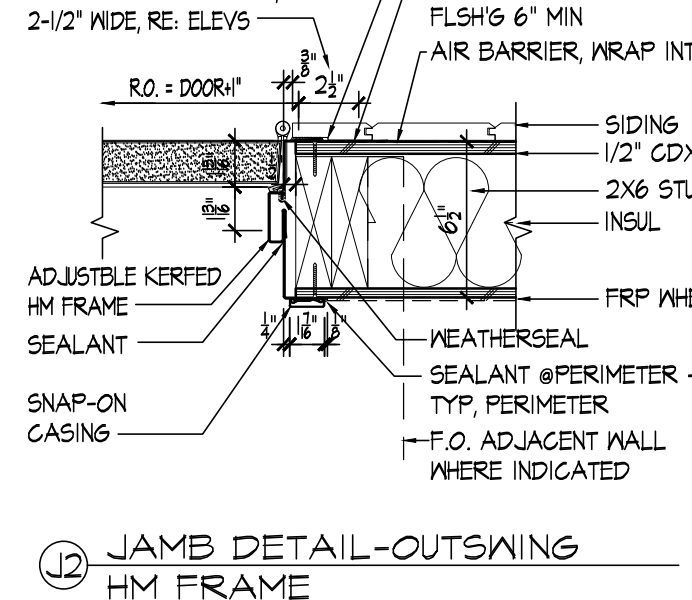
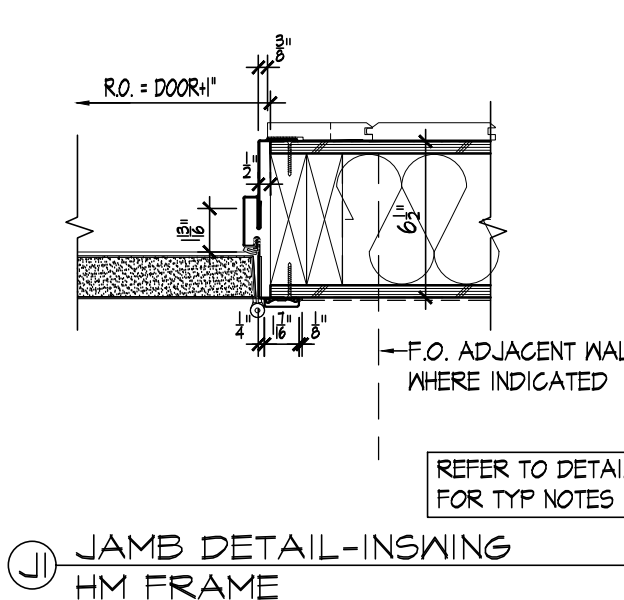
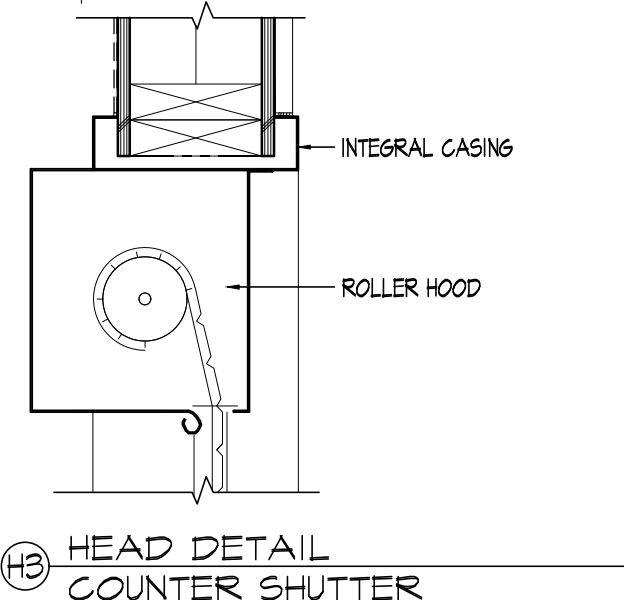
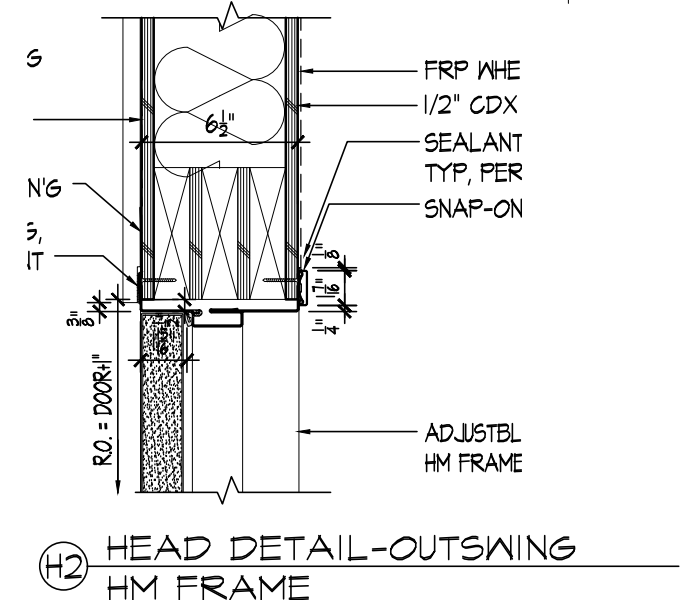
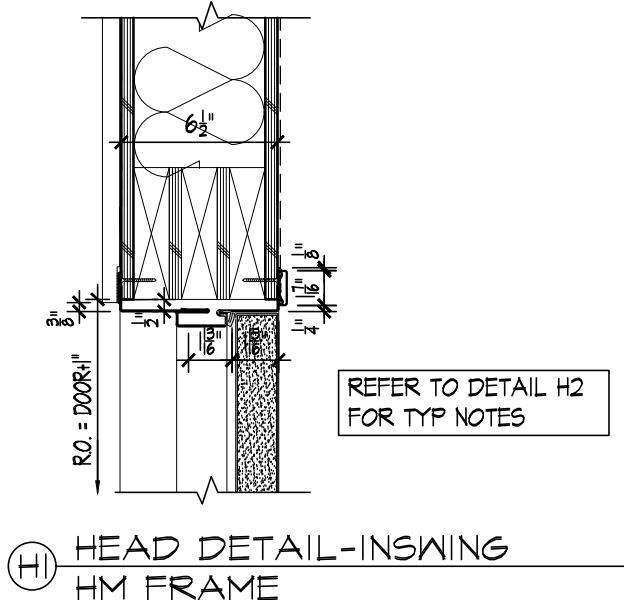
Title: _____

Witness:

Signature

Title: _____

IF THIS SHEET IS NOT 24 X 36, IT IS A REDUCED SCALE PRINT - SCALE ACCORDINGLY:

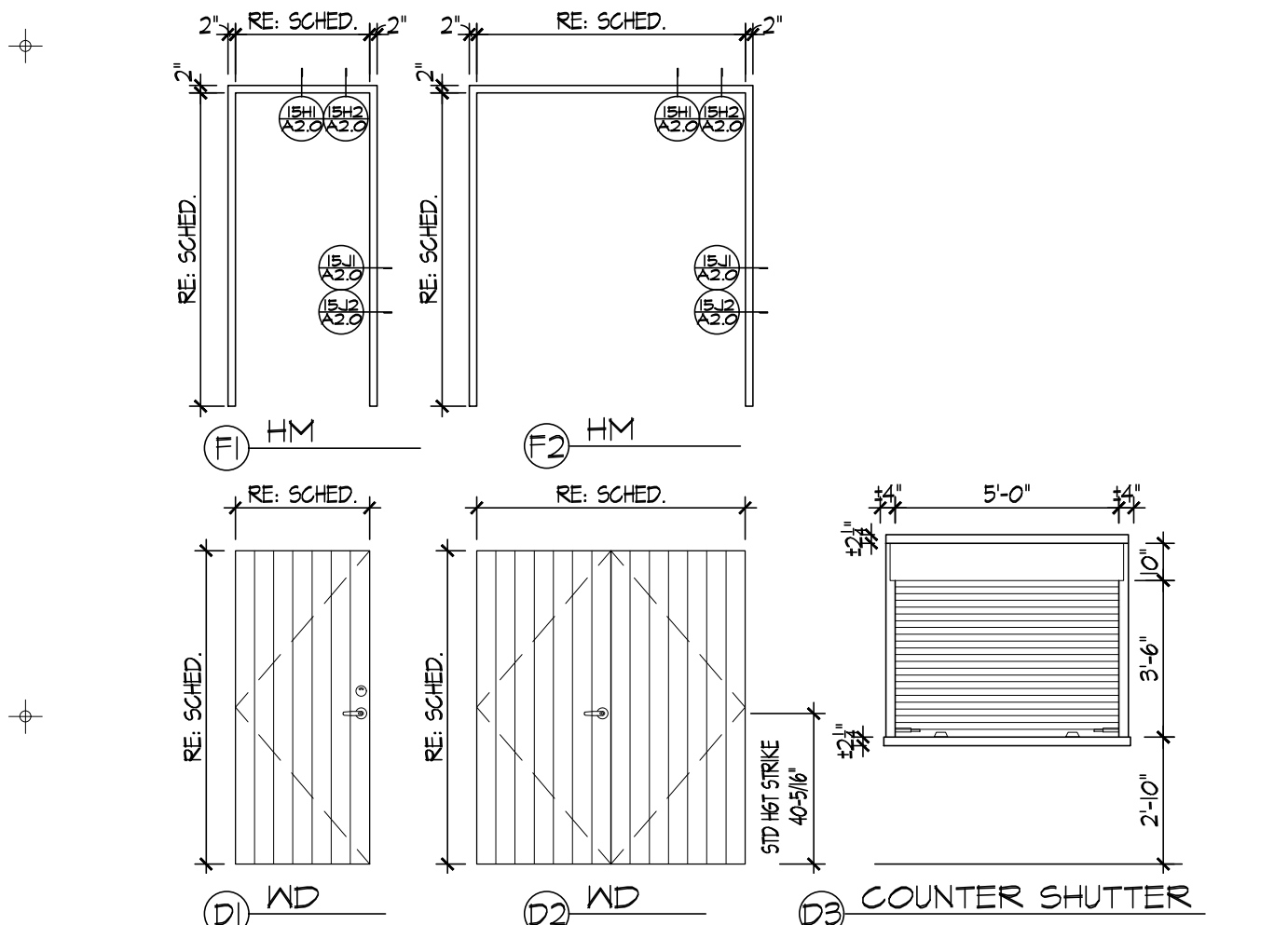


Door Number	Room Number	Room Name	Double Door Leaf	Size (M x H x T)	Door Type	Door Material	Door Finish	Frame Type	Frame Material	Frame Finish	Wall Thickness	Head Detail	Jamb Detail	Sill Detail	Threshold Detail	Fire Rating	Hardware	Key	Remarks
010		Serving Kitchen		3'-0" x 7'-0" x 1-3/4"	D1	F6	PT	F1	HM	PT	6-1/2"	H1	J1	S1	T1			●	Plastro True Plank Door #DRATPT0
011		Concessions/Rec Dept Storage		6'-0" x 7'-0" x 1-3/4"	D2	F6	PT	F2	HM	PT	6-1/2"	H2	J2	S2	T2			○	Plastro True Plank Door #DRATPT0
012		Soccer Storage		6'-0" x 7'-0" x 1-3/4"	D2	F6	PT	F2	HM	PT	6-1/2"	H2	J2	S2	T2			○	Plastro True Plank Door #DRATPT0
013		Baseball / Softball Storage		6'-0" x 7'-0" x 1-3/4"	D2	F6	PT	F2	HM	PT	6-1/2"	H2	J2	S2	T2			○	Plastro True Plank Door #DRATPT0
014		Mechanical		3'-0" x 7'-0" x 1-3/4"	D1	F6	PT	F1	HM	PT	6-1/2"	H1	J1	S1	T1			○	Plastro True Plank Door #DRATPT0
015		Family Toilet		3'-0" x 7'-0" x 1-3/4"	D1	F6	PT	F1	HM	PT	6-1/2"	H1	J1	S1	T1			○	Plastro True Plank Door #DRATPT0
016		Family Toilet		3'-0" x 7'-0" x 1-3/4"	D1	F6	PT	F1	HM	PT	6-1/2"	H1	J1	S1	T1			○	Plastro True Plank Door #DRATPT0
017		Serving Kitchen		3'-0" x 3'-6"	D3	F6	PT	ST1	ST1	---	6-1/2"	H3	J3	S3	T3			○	Overhead Door Co., Counter Door 655 W/ Integral Sill
018		Serving Kitchen		3'-0" x 3'-6"	D3	F6	PT	ST1	ST1	---	6-1/2"	H3	J3	S3	T3			○	Overhead Door Co., Counter Door 655 W/ Integral Sill

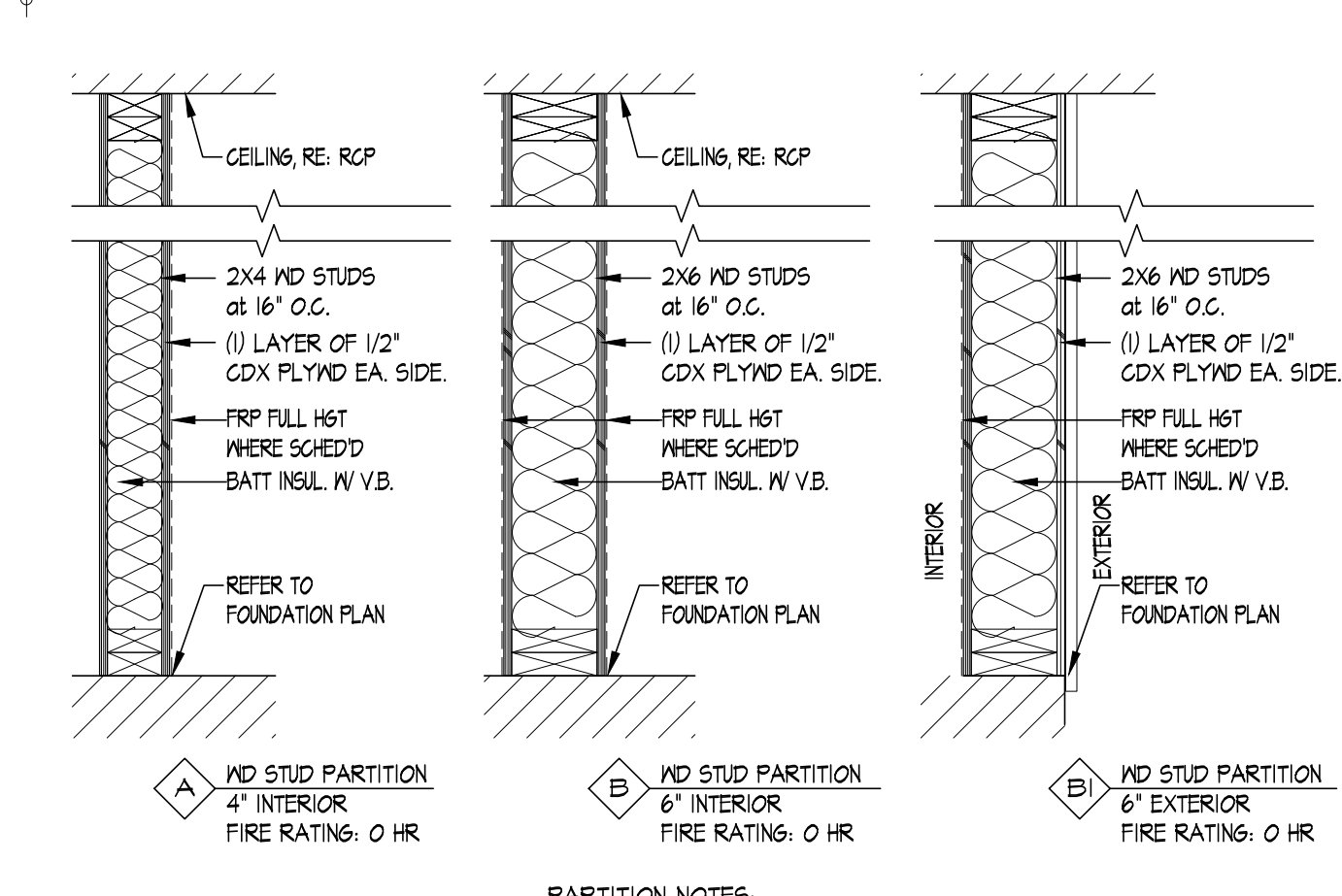
No	Item	Description	Manufacturer	Finish	Remarks
1-1/2	Pair	Hanging Devices	4 5/8 x 4.5 Hinges, Full mortise, HD, Knuckle	Stanley	BHMA 630
1	each	Securing Device (Base Bid)	ND-Series Heavy Duty Cylindrical Lockset, Storeroom F86, ATH Lever	Schlage	BHMA 626
1	each	Securing Device (Alternate)	CO-100 Cylindrical Lockset, Storeroom Function, ATH Lever, Weatherproof	Schlage	BHMA 626
1	each	Closing Device	4020 Series HCA Closer (Push-side mounted) OR as applicable	LCN	BHMA 684
1	each	Protective Trim	6" Kick plate (push side)	Rockwood, K1062	BHMA 630
1	each	Accessories	Latch Protector	Rockwood, 322	BHMA 630
1	each	Miscellaneous Items	Door Bottom	Femko, 222AV	BHMA T18 / Vinyl
1	each	Miscellaneous Items	Perimeter Weatherseal Kerfed-in Gasket	Timely	---
1	each	Miscellaneous Items	Threshold, 1/2" x 1-1/8"	Femko, 252x5-F6	BHMA T18
1	each	Securing Device (Base Bid)	ND-Series Heavy Duty Cylindrical Lockset, Classroom F84, ATH Lever - No Alternate Lock	Schlage	BHMA 626
1	each	Securing Device (Base Bid)	ND-Series Heavy Duty Cylindrical Lockset, Storeroom F86, ATH Lever	Schlage	BHMA 626
3	Pair	Hanging Devices	FBB 4.5 x 4.5 Hinges	Stanley	BHMA 630
1	each	Securing Device (Base Bid)	ND-Series Heavy Duty Cylindrical Lockset, Storeroom F86, ATH Lever	Schlage	BHMA 626
1	each	Securing Device (Alternate)	CO-100 Cylindrical Lockset, Storeroom Function, ATH Lever, Weatherproof	Schlage	BHMA 626
1	each	Securing Devices	12" Surface Bolt with padlock eye (inactive leaf - top of door)	Rockwood, 582-12	BHMA 630
1	each	Securing Devices	12" Surface Bolt (inactive leaf - bottom of door)	Rockwood, 580-12	BHMA 630
2	each	Closing Device	4010 Series HCA Closer (Full-side mounted)	LCN	BHMA 684
2	each	Protective Trim	6" Kick plate (push side)	Rockwood, K1062	BHMA 630
1	each	Accessories	Latch Protector	Rockwood, 322	BHMA 630
2	each	Miscellaneous Items	Door Bottom	Femko, 222AV	BHMA T18 / Vinyl
2	each	Miscellaneous Items	Perimeter Weatherseal Kerfed-in Gasket	Timely	---
1	each	Miscellaneous Items	Adjustable Astragal Weatherseal, Surface	Femko, 351CS	BHMA T18
1	each	Miscellaneous Items	Threshold, 1/2" x 1-1/8"	Femko, 252x5-F6	BHMA T18

GENERAL NOTES:
 1. DOOR SCHEDULE IS INTENDED TO PROVIDE SCOPE OF WORK REQUIRED FOR EACH DOOR. THE CONTRACTOR SHALL VERIFY ALL CONDITIONS IN THE FIELD PRIOR TO SUBMITTING SCHEDULE FOR ARCHITECT/ENGINEER'S REVIEW (SHOP DRAWINGS).
 2. CONTRACTOR SHALL ADJUST CLOSERS TO MEET THE FOLLOWING CRITERIA:
 2A. SNEEP TIME SHALL BE AT LEAST 3 SECONDS FROM A POSITION TO DEGREES OPEN TO A POINT 3" FROM THE STRIKE, MEASURED AT THE LEADING EDGE OF THE DOOR. MAXIMUM FORCE READ TO OPEN THE DOOR SHALL BE NOT GREATER THAN 5LB-F.
 2B. THE STRIKE, MEASURED AT THE LEADING EDGE OF THE DOOR. MAXIMUM FORCE READ TO OPEN THE DOOR SHALL BE NOT GREATER THAN 5LB-F.
 3. DOORS: Plastro True Plank Door #DRATPT0.
 4. FRAMES: Timely Adjustable Kerfed Metal Frame #AK-Series, Galvanized and primed, Field paint, with weatherseal. Provide snap-on interior casing #TA-B.
 5. COUNTER DOOR/ROLL-UP SHUTTERS: Overhead Door Co., #655 Alum slat, St. Sl. Frame, Integral sill and hood. Manual push-up, Intel and guide brush seals, interior slide bolt, each side with padlock eye.

15 Door Frame and Shutter Details
NO SCALE



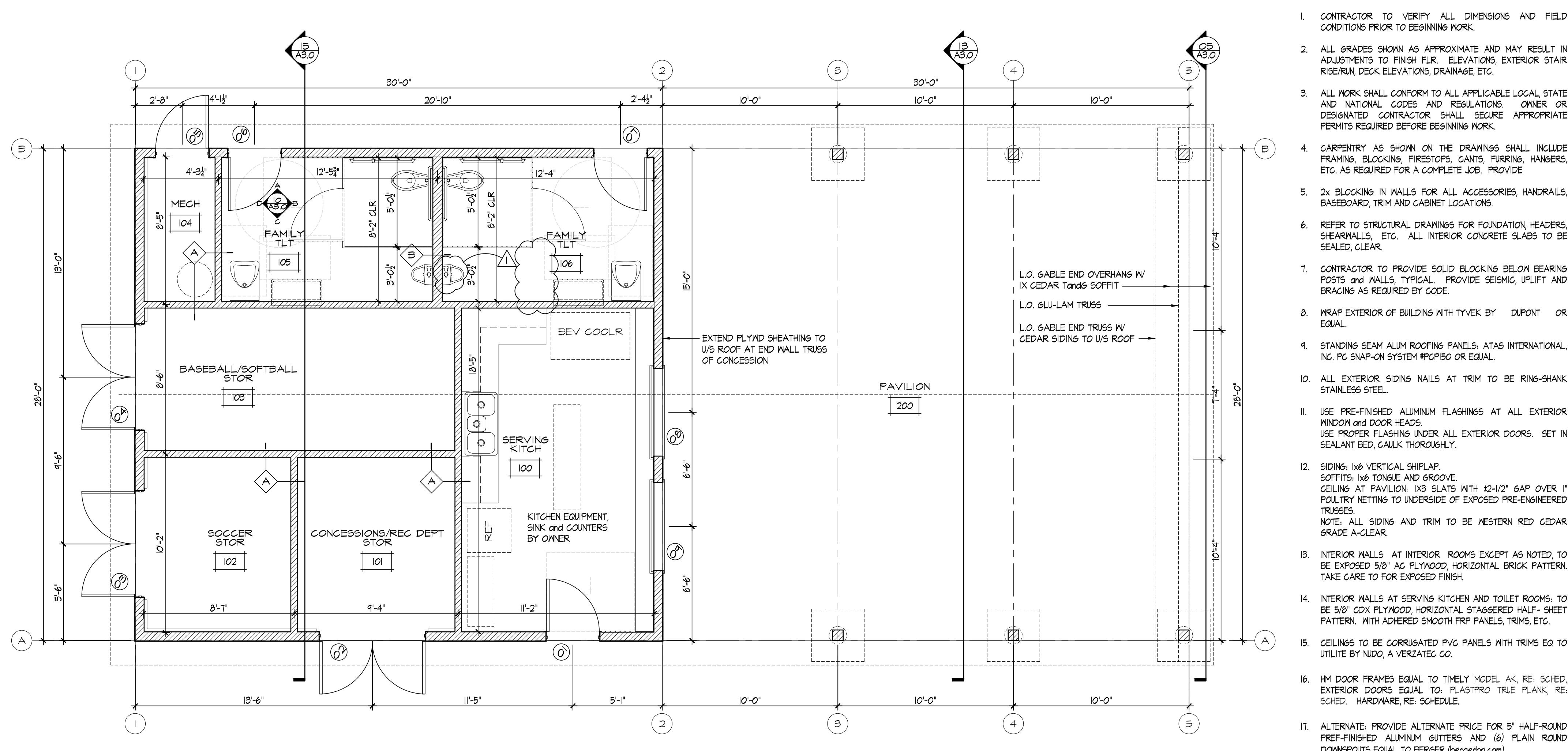
14 Door and Frame Elevations
NO SCALE



13 Wall Types
NO SCALE

PARTITION NOTES:
 1. PARTITIONS EXTEND TO B.O. TRUSSES, UNLESS OTHERWISE NOTED.
 2. PARTITION TYPES NOT LABELED ARE UNRATED - 0 HR.

07 Door and Hardware Schedule
NO SCALE



09 Floor Plan
SCALE: 1/4" = 1'-0"

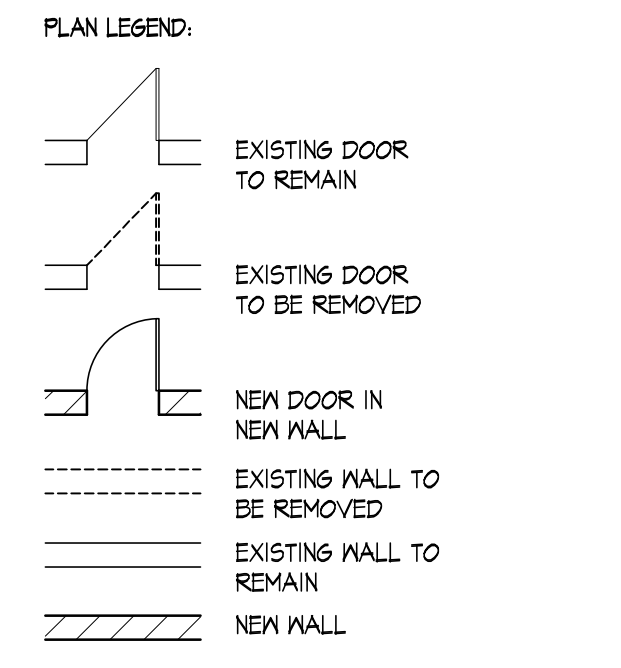
- 1. CONTRACTOR TO VERIFY ALL DIMENSIONS AND FIELD CONDITIONS PRIOR TO BEGINNING WORK.**
- 2. ALL GRADES SHOWN AS APPROXIMATE AND MAY RESULT IN ADJUSTMENTS TO FINISH FLR. ELEVATIONS, EXTERIOR STAIR RISE/RUN, DECK ELEVATIONS, DRAINAGE, ETC.**
- 3. ALL WORK SHALL CONFORM TO ALL APPLICABLE LOCAL, STATE AND NATIONAL CODES AND REGULATIONS. OWNER OR DESIGNATED CONTRACTOR SHALL SECURE APPROPRIATE PERMITS REQUIRED BEFORE BEGINNING WORK.**
- 4. CARPENTRY AS SHOWN ON THE DRAWINGS SHALL INCLUDE FRAMING, BLOCKING, FIRESTOPS, CANTS, FURRING, HANGERS, ETC. AS REQUIRED FOR A COMPLETE JOB. PROVIDE**
- 5. 2x BLOCKING IN WALLS FOR ALL ACCESSORIES, HANDRAILS, BASEBOARD, TRIM AND CABINET LOCATIONS.**
- 6. REFER TO STRUCTURAL DRAWINGS FOR FOUNDATION HEADERS, SHEARWALLS, ETC. ALL INTERIOR CONCRETE SLABS TO BE SEALED, CLEAR.**
- 7. CONTRACTOR TO PROVIDE SOLID BLOCKING BELOW BEARING POSTS AND WALLS, TYPICAL. PROVIDE SEISMIC, UPLIFT AND BRACING AS REQUIRED BY CODE.**
- 8. WRAP EXTERIOR OF BUILDING WITH TYVEK BY DUPONT OR EQUAL.**
- 9. STANDING SEAM ALUM ROOFING PANELS. ATAS INTERNATIONAL, INC. FC SNAP-ON SYSTEM #FCP150 OR EQUAL.**
- 10. ALL EXTERIOR SIDING NAILS AT TRIM TO BE RING-SHANK STAINLESS STEEL.**
- 11. USE PRE-FINISHED ALUMINUM FLASHINGS AT ALL EXTERIOR WINDOW AND DOOR HEADS. USE PROPER FLASHING UNDER ALL EXTERIOR DOORS. SET IN SEALANT BED, CAULK THOROUGHLY.**
- 12. SIDING: 1x6 VERTICAL SHIPLAP SOFFITS, 1x6 TONGUE AND GROOVE. CEILING AT PAVILION: 1x3 SLATS WITH 1/2" GAP OVER 1" FOLLY NETTING TO UNDERSIDE OF EXPOSED PRE-ENGINEERED TRUSSES. NOTE: ALL SIDING AND TRIM TO BE WESTERN RED CEDAR GRADE A-CLEAR.**
- 13. INTERIOR WALLS AT INTERIOR ROOMS EXCEPT AS NOTED, TO BE EXPOSED 5/8" AC PLYWOOD, HORIZONTAL BRICK PATTERN. TAKE CARE TO FOR EXPOSED FINISH.**
- 14. INTERIOR WALLS AT SERVING KITCHEN AND TOILET ROOMS, TO BE 5/8" CDX PLYWOOD, HORIZONTAL, STAGGERED HALF SHEET PATTERN. WITH ADHERED SMOOTH FRP PANELS, TRIMS, ETC.**
- 15. CEILING TO BE CORRUGATED PVC PANELS WITH TRIMS EQ TO UTILITE BY NUDO, A VERZATEC CO.**
- 16. HM DOOR FRAMES EQUAL TO TIMELY MODEL AK, RE: SCHED. EXTERIOR DOORS EQUAL TO: PLASTRO TRUE PLANK, RE: SCHED. HARDWARE, RE: SCHEDULE.**
- 17. ALTERNATE: PROVIDE ALTERNATE PRICE FOR 5" HALF-ROUND PREF-FINISHED ALUMINUM GUTTERS AND (6) PLAIN ROUND DOWNSPOUTS EQUAL TO BERGER (bergerp.com).**

Recreation Park Pavilion
Hennequin Road

Prepared for the
Town of Columbia
323 Route 87.
Columbia, CT



- DRAWING LIST:**
- A2.0 Plan, Wall and Door Details
 - A2.1 Exterior Elevations
 - A3.0 Sections and Interior Elevations
 - A4.0 Sliding and Roofing Details
 - S-01 Notes and Foundation
 - S-02 Laterals and Walls
 - S-03 Roof
 - S-04 section and Details
 - S-05 section and Details



REVISIONS:

05OCT2021: Committee Revs; Toilet Rms. and Hardware

DATE: 28SEP2021
 PROJECT NO: 21.006
 DRAWN: WWB
 CHECKED: ARC

ISSUED FOR:
 PROGRAMMING
 SCHEMATIC DESIGN
 DESIGN DEVELOPMENT
 BIDDING + CONSTRUCTION
 PERMIT
 PROGRESS ONLY - NOT FOR CONSTRUCTION

FILE NAME: 21.006_TO Columbia Pavilion

01 General Notes
NO SCALE

A2.0

IF THIS SHEET IS NOT 24 X 36, IT IS A REDUCED SCALE PRINT - SCALE ACCORDINGLY:

ACQST	ACOUSTICAL	ELEV	ELEVATION	HB	HARDBOARD	REQD	REQUIRED
AFF	ABOVE FINISH FLOOR	EQ	EQUAL	HGA	HANDICAPPED ACCESSIBLE	RL6S	RAILINGS
ALUM	ALUMINUM	ES	EACH SIDE	HM	HOLLOW METAL	RM	ROOM
APPROX	APPROXIMATE	EXIST	EXISTING	HNORL	HANDRAIL	RVL	RAINWATER LEADER
ASSOC	ASSOCIATION	ETR	EXISTING TO REMAIN	HR	HOUR	SAC	SUSPENDED ACOUSTICAL
BARR	BARRIER	ETBR	EXISTING TO BE REMOVED	HRDWR	HARDWARE	CL6	CL6
B.O.	BY OTHERS / BOTTOM OF	EXP	EXPANSION	INSUL	INSULATION	SCHD	SCHEDULE
BD	BOARD	EXT	EXTERIOR	SPEC	SPECIFICATIONS	ST	STORAGE
BIT	BITUMINOUS	FA	FIRE ALARM	K.S.	KICK SPACE	STRCT	STRUCTURE
BLDG	BUILDING	FE	FIRE EXTINGUISHER	L.C.C.	LEAD COATED COPPER	SUSP	SUSPENDED
B.S.	BOTH SIDES	FEC	FIRE EXTINGUISHER CABINET	LT	LINE OF	T&G	TONGUE AND GROOVE
CL	CHAIN LINK	FD	FLOOR DRAIN	MFR	MANUFACTURER	T.O.	T.O.
CLR	CLEAR	FDG	FIRE DEPT. CONNECTION	MAX	MAXIMUM	TLT	TOILET
CL6	CEILING	FG	FIRE CODE	MIN	MINIMUM	TYP	TYPICAL
CLOS	CLOSET	FRTRD	FIRE TREATED	MTL	METAL	UN	UNLESS OTHERWISE NOTED U/S UNDERSIDE
CONC	CONCRETE	FFEL	FINISHED FLOOR ELEVATION	MJR	MOISTURE RESISTANT	VEST	VESTIBULE
CONT	CONTINUOUS	FIN	FINISH	NIC	NOT IN CONTRACT	VIF	VERIFY IN FIELD
COORD	COORDINATE	FL/FLR	FLOOR	OC	ON CENTER	W	WITH
CMU	CONCRETE MASONRY UNIT	F.O.	FACE OF	PLYND	PLYWOOD	WD	WOOD
CPT	CARPET	FNDTN	FOUNDATION	POLY	POLYETHYLENE	WDM	WINDOW
DF	DRINKING FOUNTAIN	FTG	FOOTING	PRE-FAB	PREFABRICATED	WVF	WELDED WIRE FABRIC
DIST	DISTANCE	GA	GALVE	PRE-FIN	PREFINISHED		
DN	DOWN	GD	GREASE DUCT	PRE-MANF	PRE-MANUFACTURED		
DR	DOOR	GL / GLZ6	GLASS / GLAZING	PROV	PROVIDE		
DTL	DETAIL	GY	GYP	PT/PTRD	PRESERVATIVE TREATED		
DW6S	DRAWINGS	GYPSM	GYP	PT/PTD	PAINT/PAINTED		
EA	EACH	GY6	GYPSUM WALL BOARD	REINF	REINFORCEMENT		
EPDM	ETHYLENE PROPYLENE DIENE MONOMER						

13 Abbreviations

NO SCALE

06 Code Data

NO SCALE

APPLICABLE CODES:
 ALL WORK SHALL BE IN CONFORMANCE WITH ALL APPLICABLE STATE AND LOCAL CODES, ORDINANCES AND STATUTES.
 2018 CONNECTICUT STATE BUILDING CODE, COMPRISED OF:
 • 2018 INTERNATIONAL EXISTING BUILDING CODE
 • 2018 INTERNATIONAL BUILDING CODE
 • 2018 INTERNATIONAL MECHANICAL CODE
 • 2018 INTERNATIONAL PLUMBING CODE
 • 2017 NATIONAL ELECTRIC CODE
 • 2018 INTERNATIONAL ENERGY CONSERVATION CODE
 • 2009 ANSI A117.1 ACCESSIBLE AND USABLE BUILDINGS AND FACILITIES
 2018 CONNECTICUT FIRE SAFETY CODE
 • 2018 INTERNATIONAL FIRE SAFETY CODE
 • 2018 NFPA 101 LIFE SAFETY CODE

PROJECT AND CODE NARRATIVE:
 THIS PROPOSED PROJECT IS DESIGNED AS A NEW COVERED PICNIC PAVILION WITH ENCLOSED STORAGE AND CONCESSION AREAS. THERE ARE NO HEAT PRODUCING APPLIANCES, AND IS DESIGNED AS MIXED-USE, NON-SEPARATED AREAS, WITHIN THE HEIGHT AND AREA LIMITS OF THE IBC.
 THE PROJECT AREA INCLUDES 840 65F EACH FOR STORAGE (S-2) AND ASSEMBLY (A-5) OCCUPANT LOAD FOR THE STORAGE AREAS EQUALS 9 PERSONS (1/300) AND 56 PERSONS (1/5 TABLES) FOR THE ASSEMBLY AREA. ENCLOSED SPACE EGRESS COMPONENTS ARE PROVIDED IN ACCORDANCE WITH THE IBC FOR QTY. and TRAVEL DISTANCE.
 BUILDING COMPONENT ACCESSIBILITY IS PROVIDED PER ANSI A117.1 FOR ALL PAVILION AND ENCLOSED SPACES, TOILET AND SERVING FACILITIES.

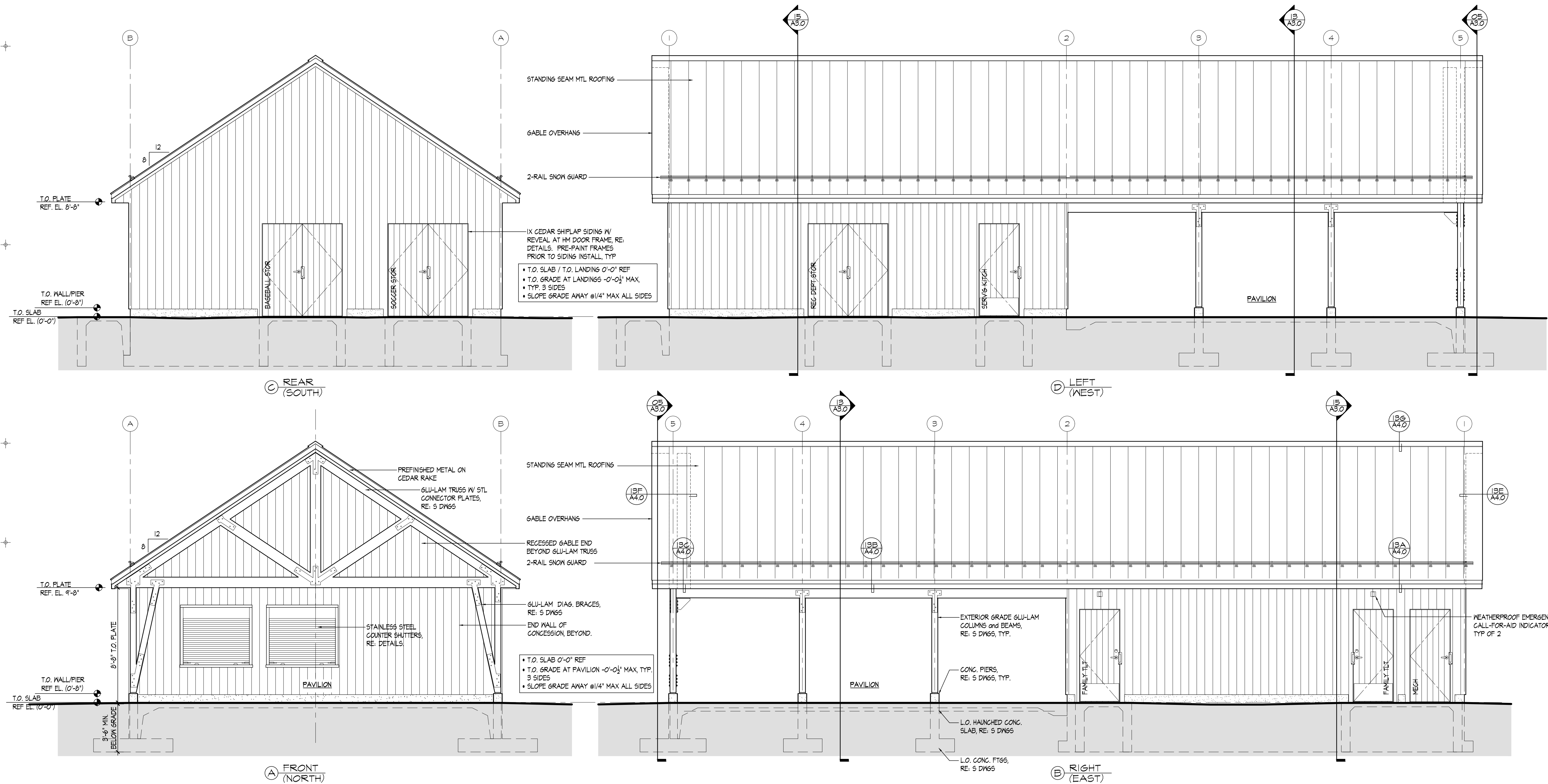
03 Symbols Legend

NAME	ROOM NAME and NUMBER	(X)	COLUMN GRID LINES
(#)	DOOR NUMBER	(#)	SCOPE NOTE
(A) (B) (C)	INTERIOR ELEVATIONS	(#)	ELEVATION LOCATION
(#)	DETAIL NUMBER	(X)	WALL TYPE
(#)	EXTERIOR ELEVATIONS	(#)	REVISION MARK
(#)	BUILDING SECTION	(X - ###)	SIGNAGE TYPE
(#)	WALL SECTION	(#)	WINDOW TYPE
(#)		(C#)	CEILING TYPE
(#)		(#)	DEMO NOTE

Recreation Park Pavilion

Prepared for the
 Town of Columbia
 323 Route 87.
 Columbia, CT

BREWSTER ARCHITECTS
 111 Oliver Road
 Lebanon, Connecticut 06249
 860.642.9977



PLAN LEGEND:

(Symbol)	EXISTING DOOR TO REMAIN
(Symbol)	EXISTING DOOR TO BE REMOVED
(Symbol)	NEW DOOR IN NEW WALL
(Symbol)	EXISTING WALL TO BE REMOVED
(Symbol)	EXISTING WALL TO REMAIN
(Symbol)	NEW WALL

REVISIONS:

05OCT2021: Committee Revs: Toilet Rms. and Hardware
DATE: 28SEP2021
PROJECT NO: 21.006
DRAWN: WWB
CHECKED: ARC
ISSUED FOR:
<input type="checkbox"/> PROGRAMMING
<input type="checkbox"/> SCHEMATIC DESIGN
<input type="checkbox"/> DESIGN DEVELOPMENT
<input checked="" type="checkbox"/> BIDDING + CONSTRUCTION
<input type="checkbox"/> PERMIT
<input type="checkbox"/> PROGRESS ONLY - NOT FOR CONSTRUCTION
FILE NAME: 21.006_TO Columbia Pavilion

13 Exterior Elevations

SCALE: 1/4" = 1' = 0"

A2.1

©2021 BREWSTER ARCHITECTS LLC
 Drawing, specifications and/or documents, prepared by BREWSTER ARCHITECTS, LLC under the Architect-Consultant Agreement, are the property of BREWSTER ARCHITECTS, LLC. No part of this drawing may be reproduced, stored in a retrieval system, or transmitted in any form or by any means, electronic, mechanical, photocopying, recording, or by any information storage and retrieval system, without the prior written consent of BREWSTER ARCHITECTS, LLC. All work is subject to the terms and conditions of the Architectural Agreement.

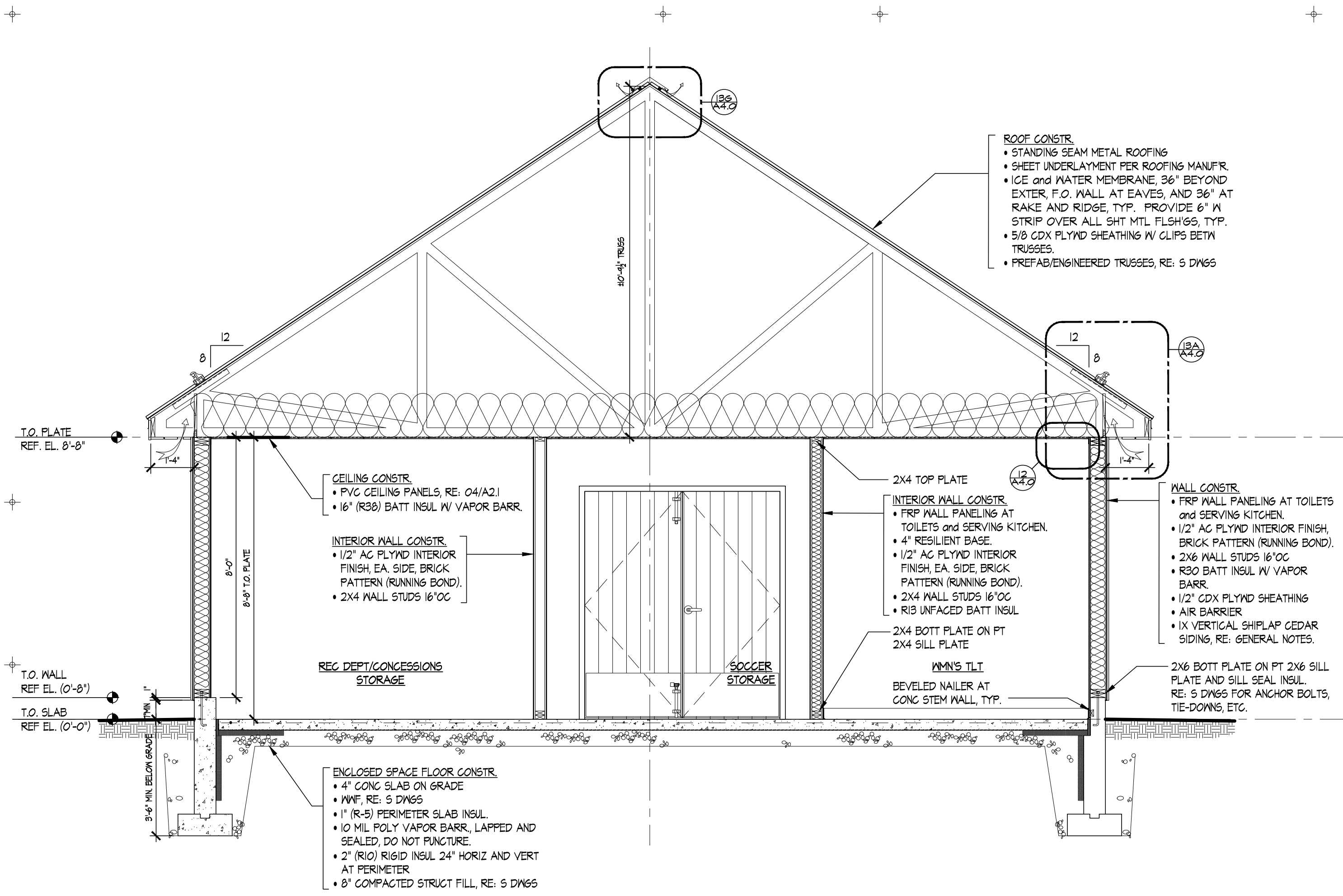
Recreation Park Pavilion
Hennequin Road

Prepared for the
Town of Columbia
323 Route 87.
Columbia, CT

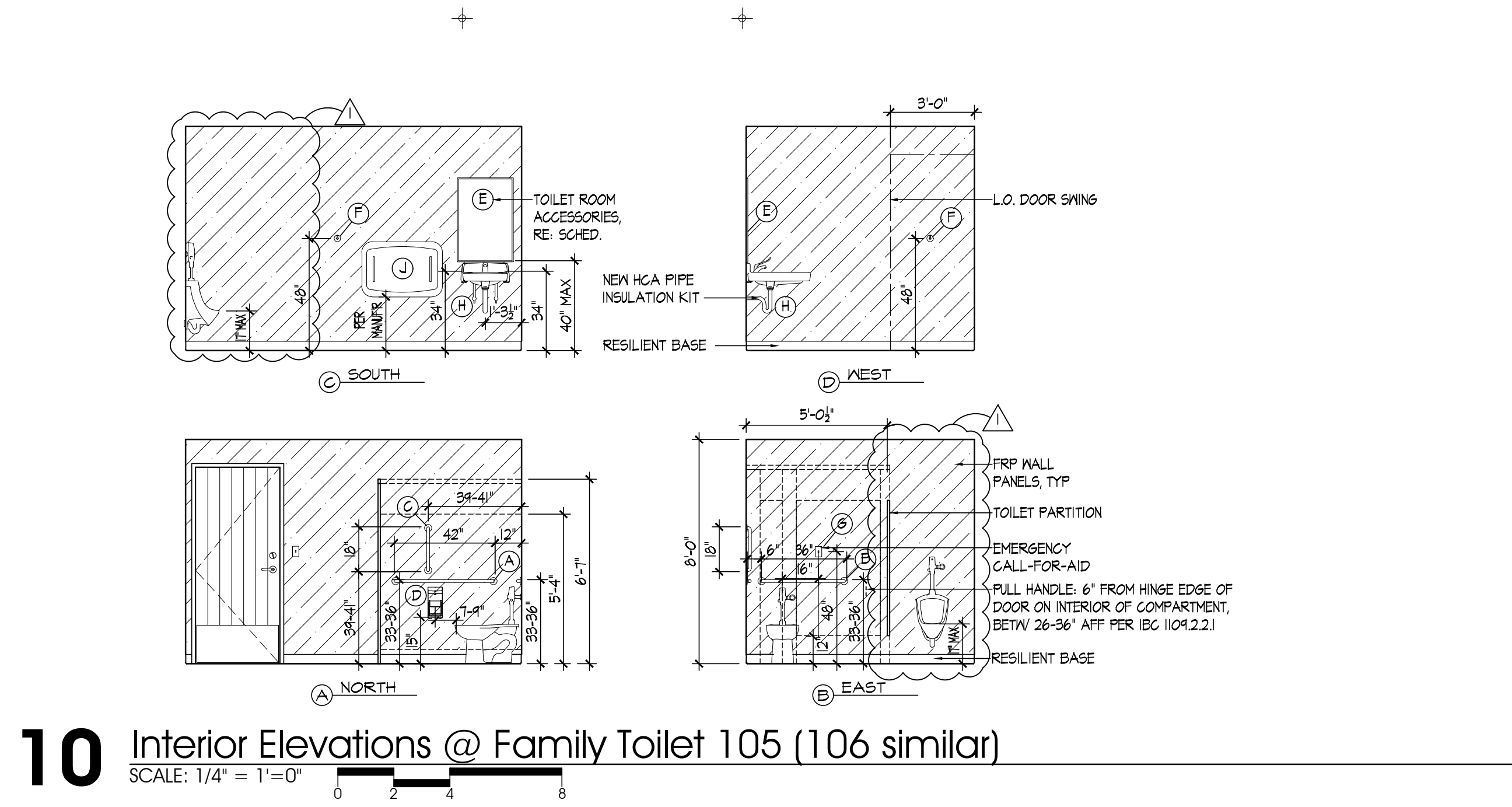
BREWSTER ARCHITECTS
111 Oliver Road
Lebanon, Connecticut 06249
860.642.9977



IF THIS SHEET IS NOT 24 X 36, IT IS A REDUCED SCALE PRINT - SCALE ACCORDINGLY:



15 Cross-section at Serving Kitchen/Toilet Room
SCALE: 3/8" = 1'-0"

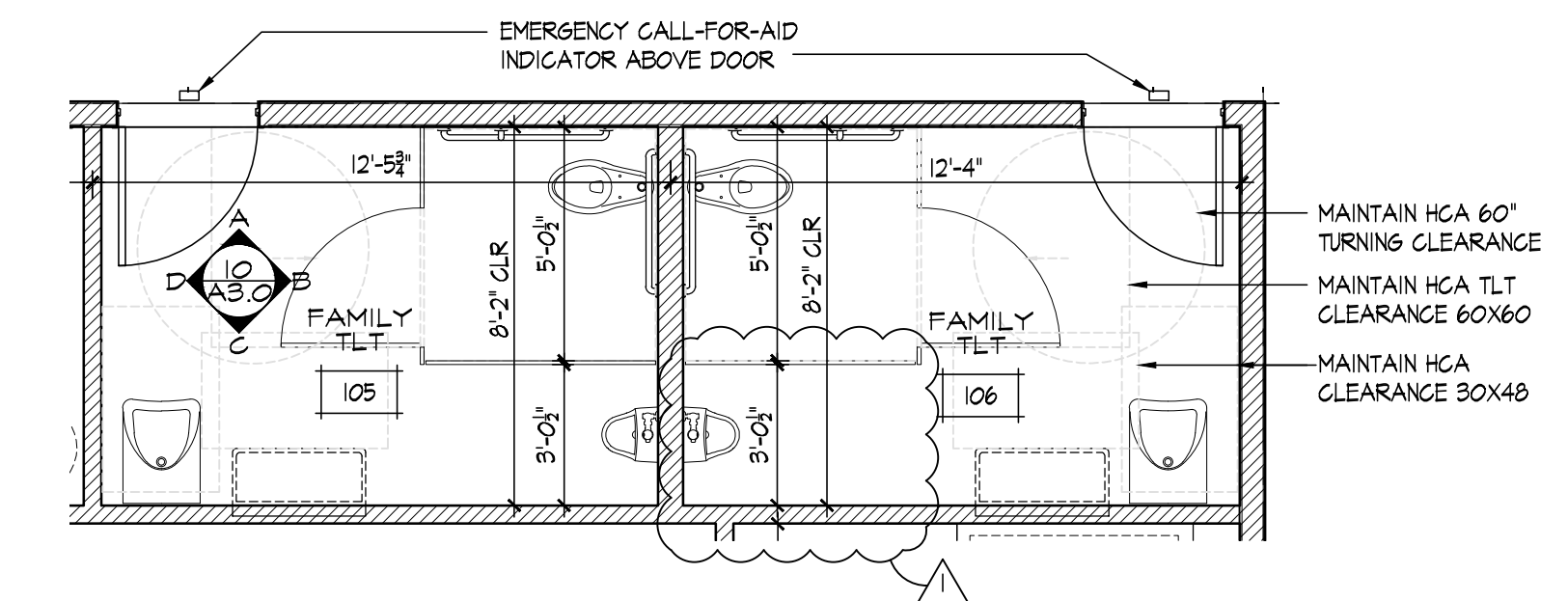


10 Interior Elevations @ Family Toilet 105 (106 similar)
SCALE: 1/4" = 1'-0"

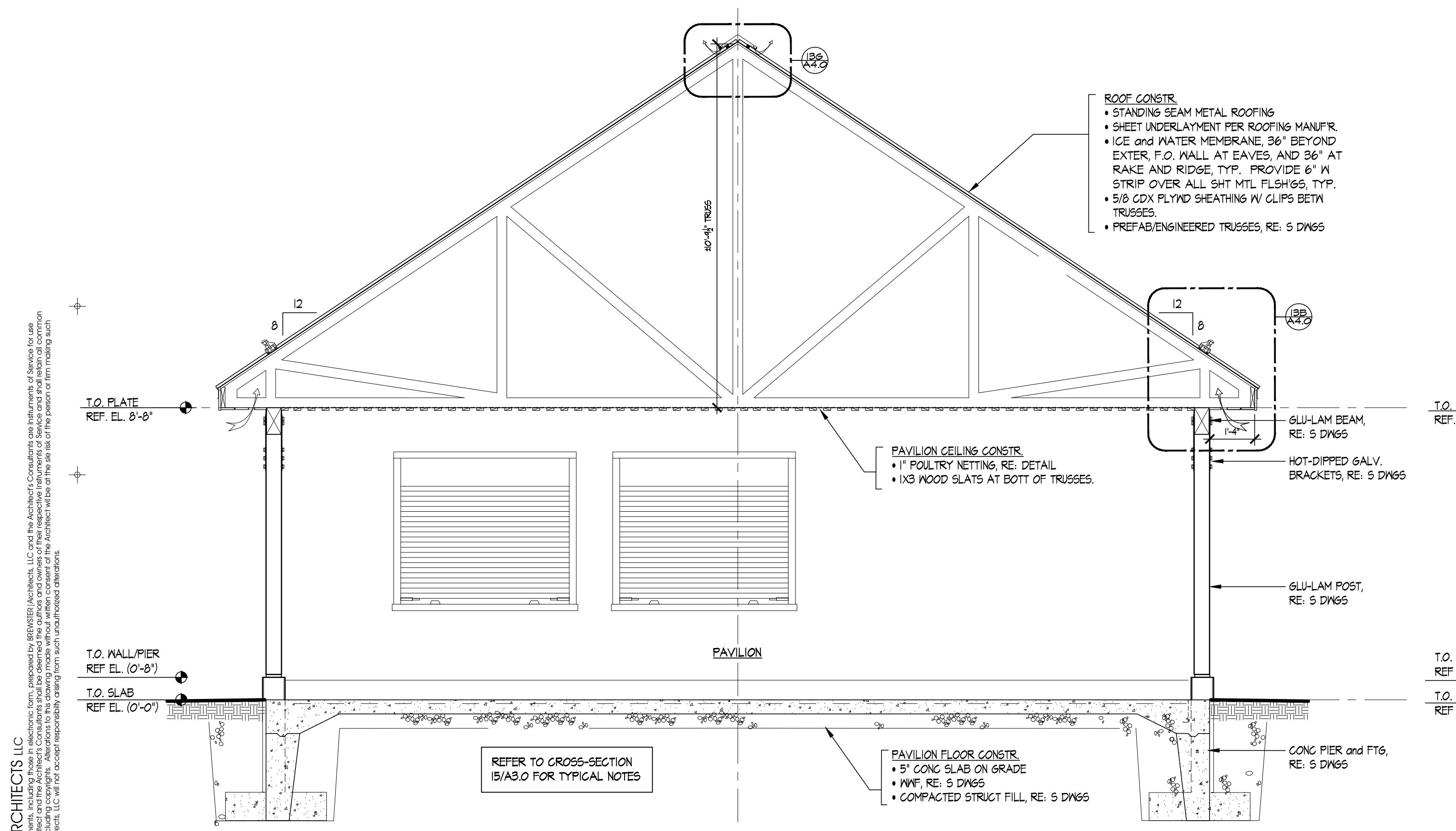
MARK	DESCRIPTION	MANUFACTURER	MODEL NO.	REMARKS
(A)	42" GRAB BAR	BOBRICK	B-6806.99 x 42	
(B)	36" GRAB BAR	BOBRICK	B-6806.99 x 36	
(C)	18" VERTICAL GRAB BAR	BOBRICK	B-6806.99 x 18	
(D)	TOILET TISSUE DISPENSER	BOBRICK	B-4288	
(E)	MIRROR	BOBRICK	B-240 2436	40" AFF MAX TO BOTTOM EDGE
(F)	COAT HOOK	BOBRICK	B-2116	
(G)	EMERGENCY CALL-FOR-AID			
(H)	INSULATED PIPE COVERS	IPSCORP (TRUBRO)	LAY GUARD2	
(J)	CHANGING STATION	KOALA CARE	KB10-SERE	RECESSED

NOTE: PROVIDE SOLID 2X BLOCKING IN WALLS FOR ALL ACCESSORIES. COORD. MOUNTING HEIGHTS OF ALL TOILET ROOM ACCESSORIES PRIOR TO INSTALLATION OF 2X BLOCKING and GMB.

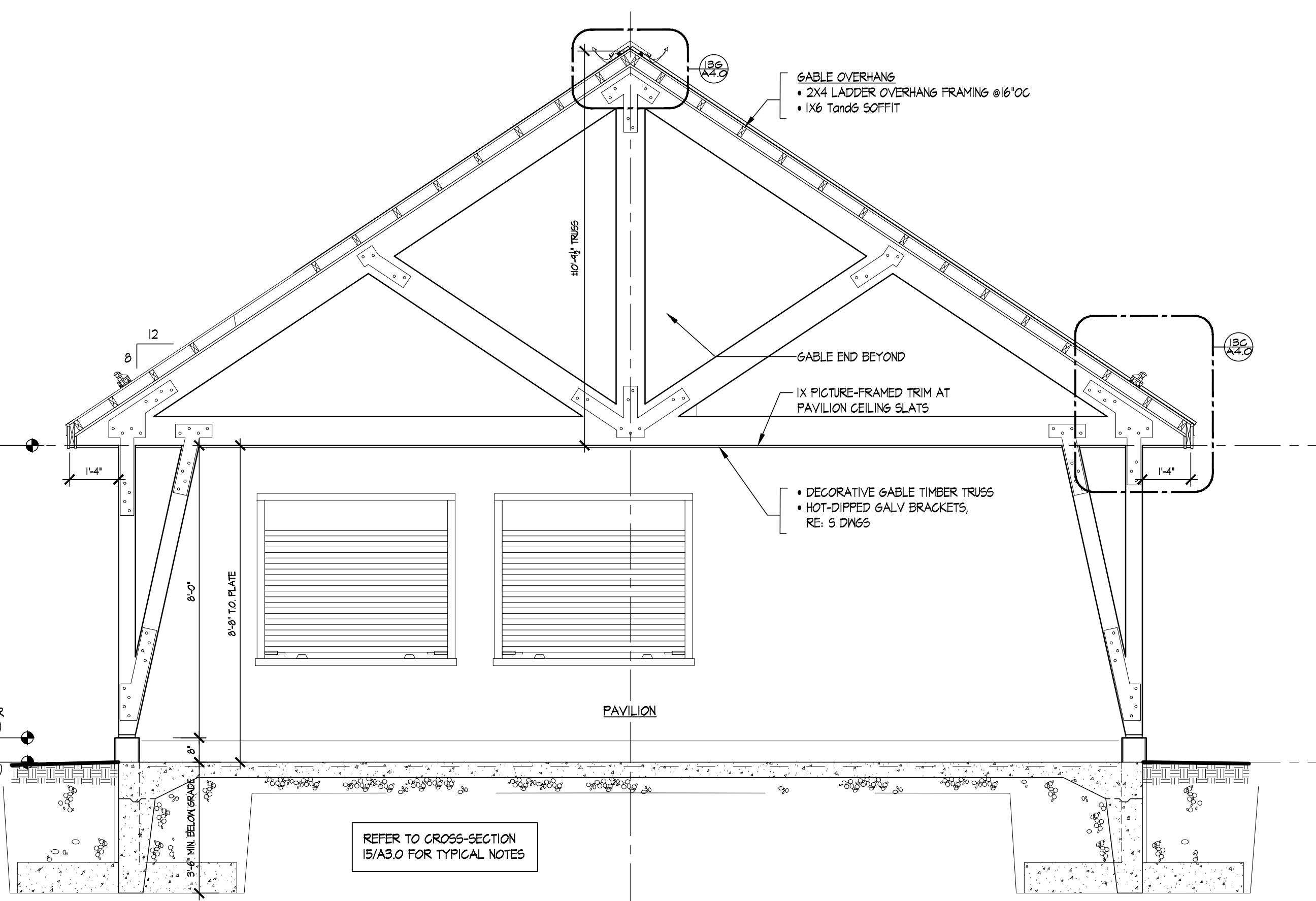
09 Accessory Schedule
NO SCALE



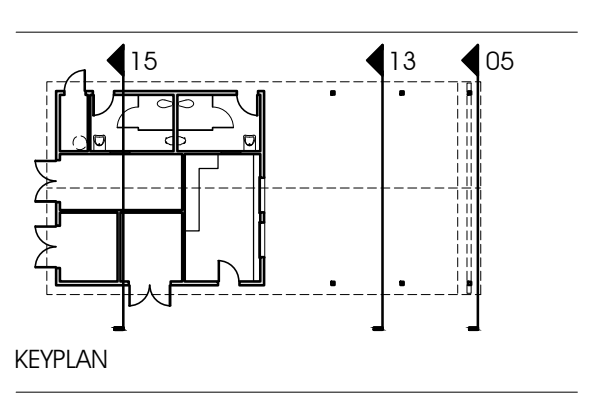
03 Enlarged HCA Bathroom Plan
SCALE: 1/4" = 1'-0"



13 Cross-section at Pavilion
SCALE: 3/8" = 1'-0"



05 Cross-section at Gable Timber Truss
SCALE: 3/8" = 1'-0"



REVISIONS:
05OCT2021: Committee Revs: Toilet Rms. and Hardware

DATE: 28SEP2021
PROJECT NO: 21.006
DRAWN: WWB
CHECKED: ARC
ISSUED FOR:
 PROGRAMMING
 SCHEMATIC DESIGN
 DESIGN DEVELOPMENT
 BIDDING + CONSTRUCTION
 PERMIT
 PROGRESS ONLY - NOT FOR CONSTRUCTION
FILE NAME: 21.006_TO Columbia Pavilion

SECTIONS and INTERIOR ELEVATIONS

A3.0

©2021 BREWSTER ARCHITECTS LLC. All rights reserved. No part of this document may be reproduced or transmitted in any form or by any means, electronic or mechanical, including photocopying, recording, or by any information storage and retrieval system, without the prior written consent of Brewster Architects, LLC. Brewster Architects, LLC will not be held responsible for any errors or omissions in this document.



Recreation Park Pavilion
Hennequin Road

Prepared for the
Town of Columbia
323 Route 87.
Columbia, CT

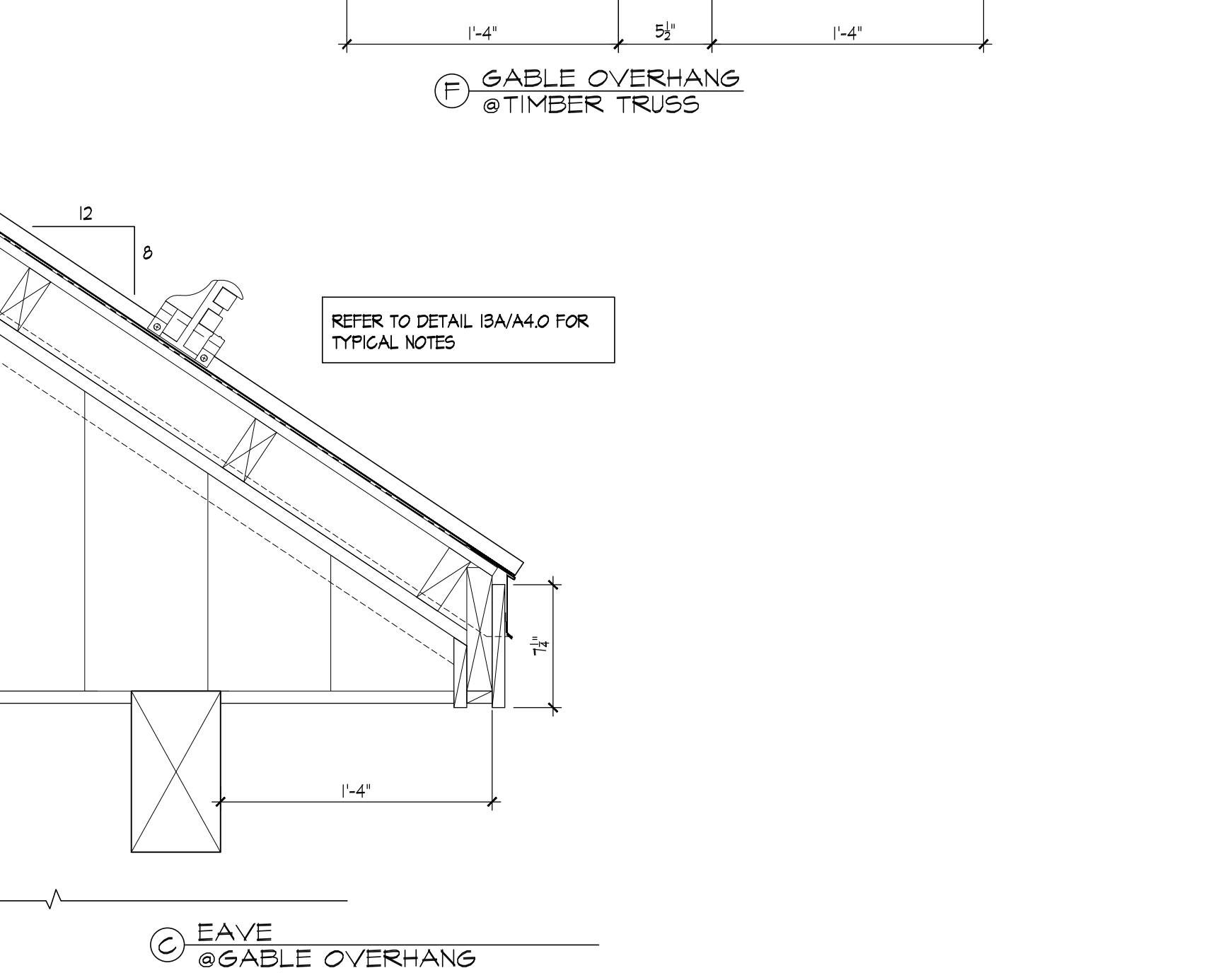
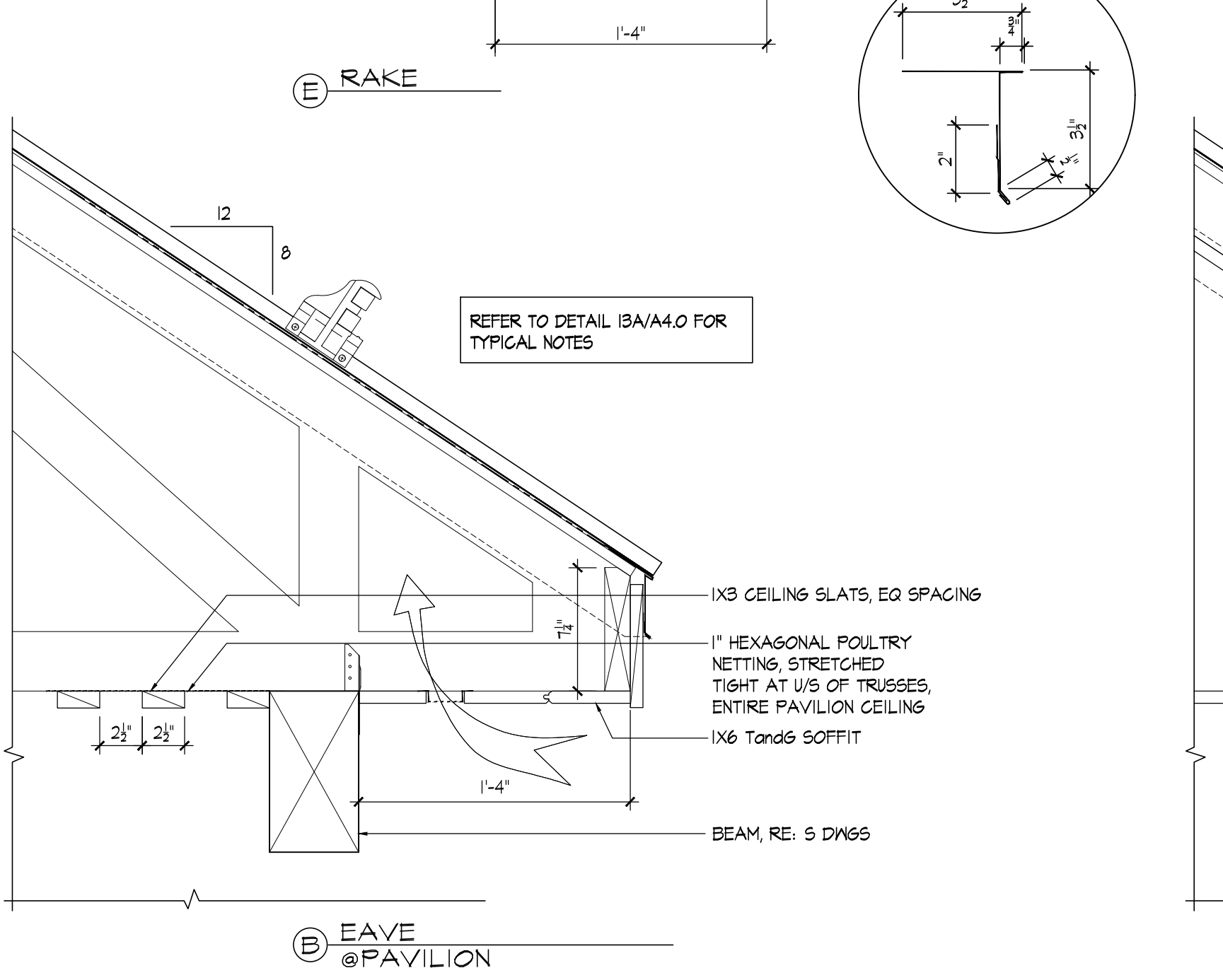
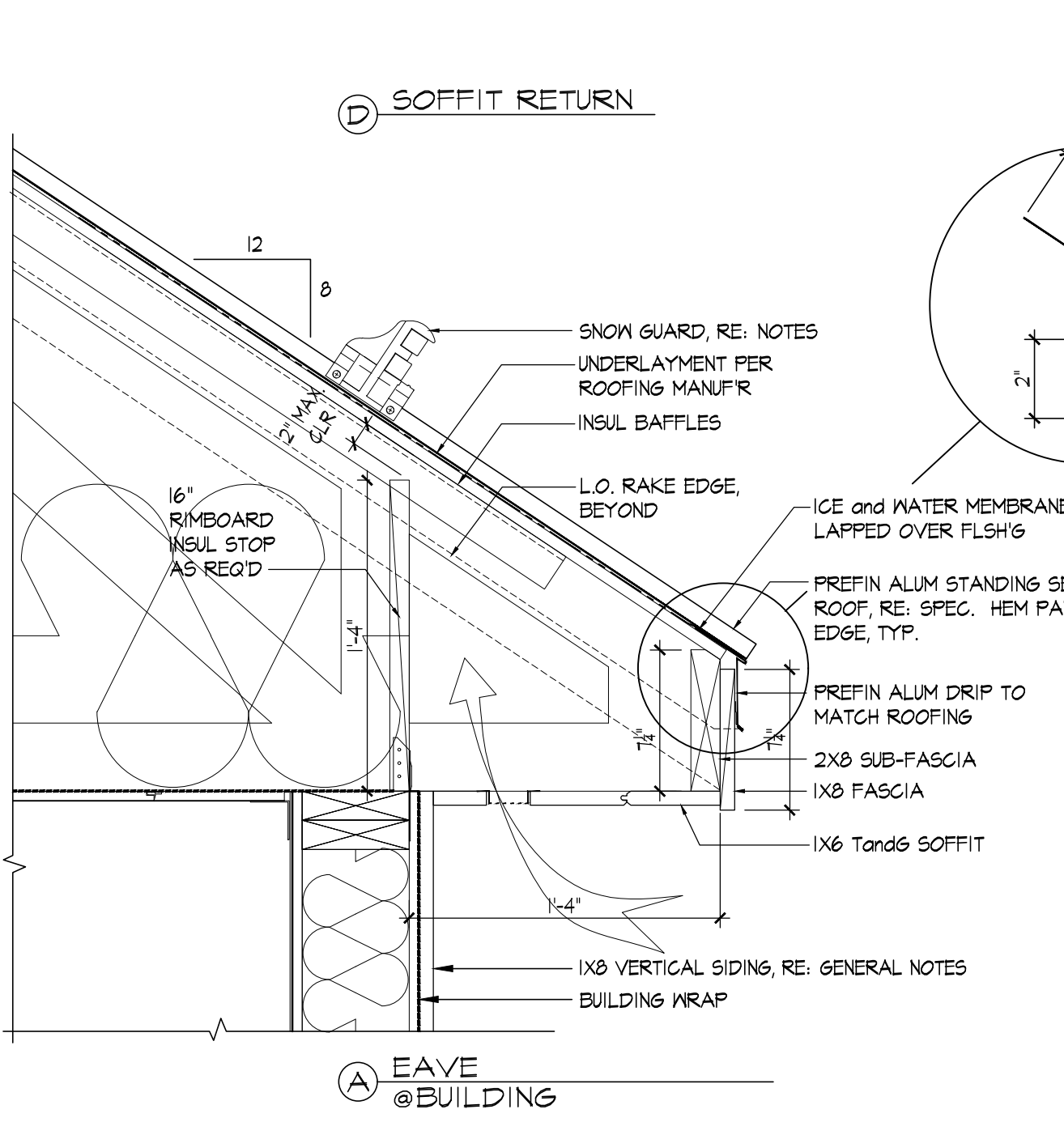
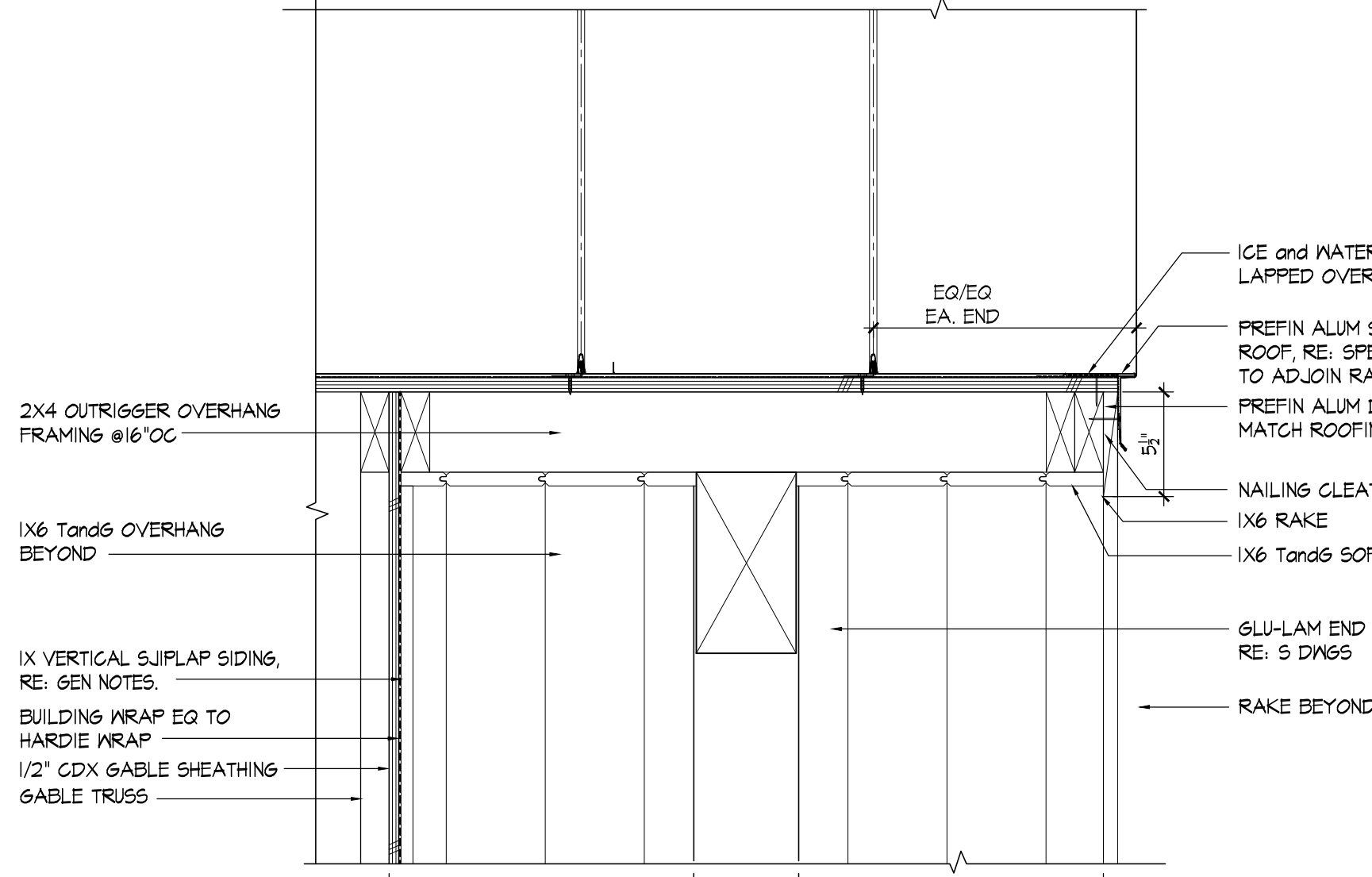
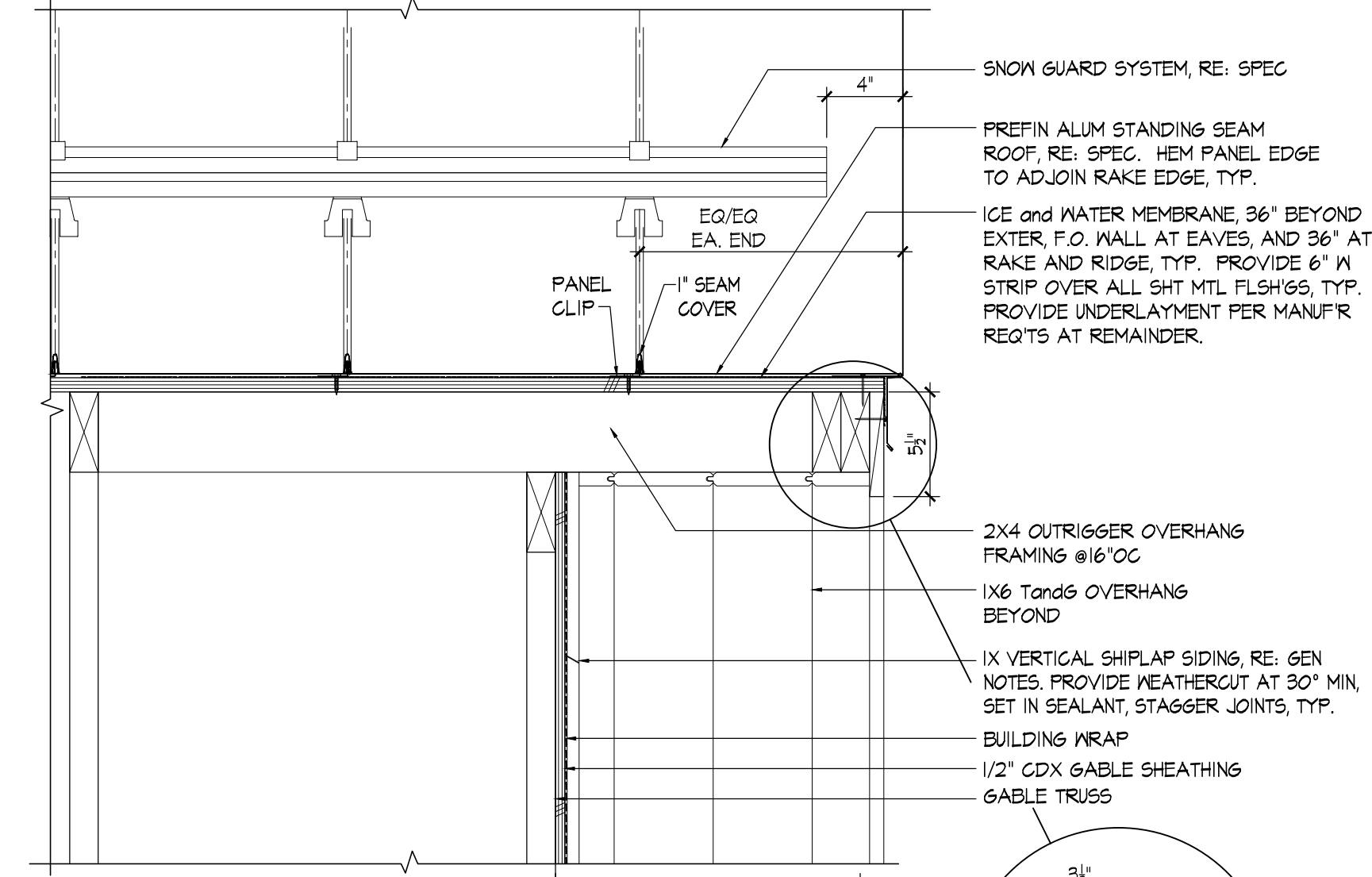
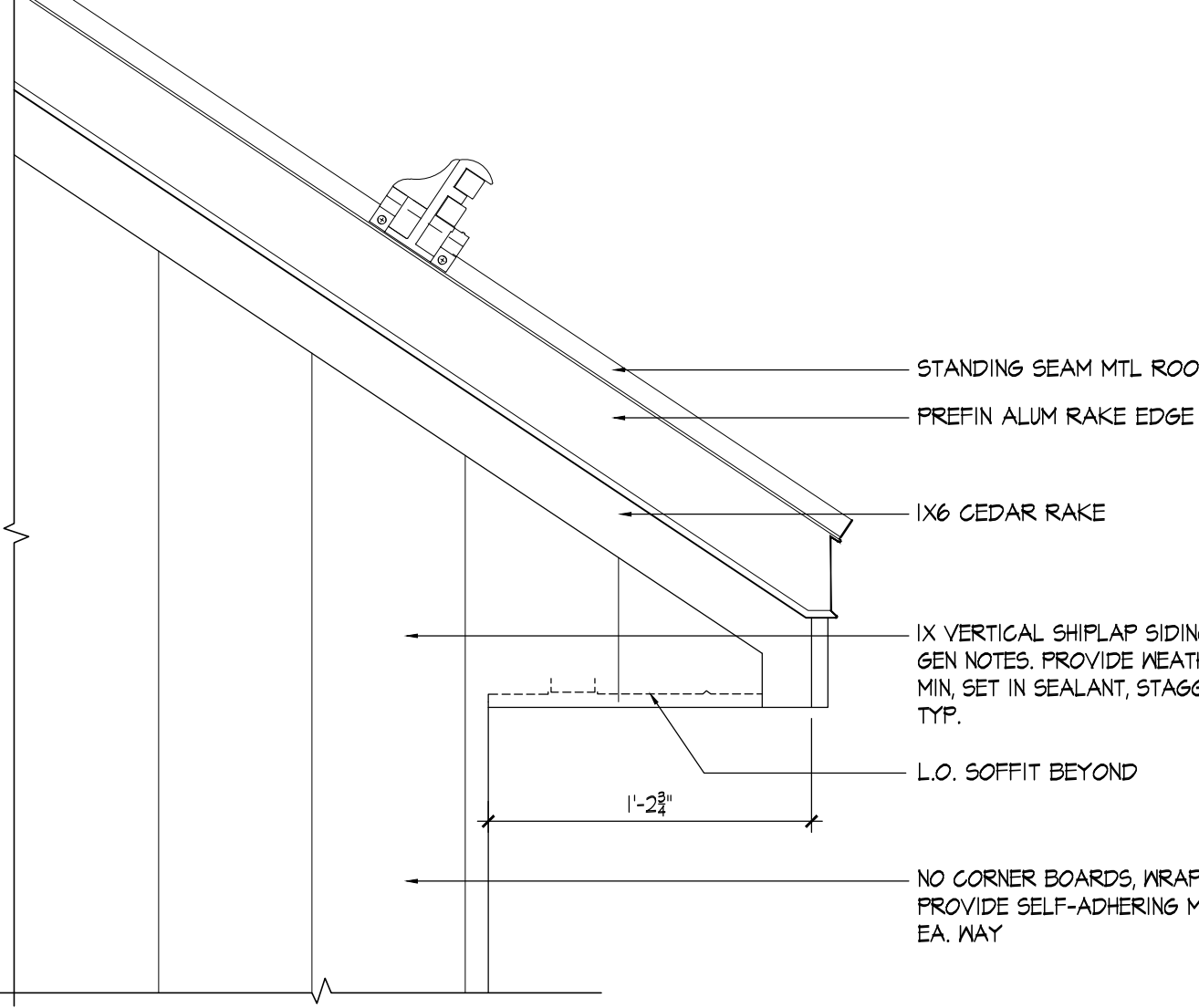
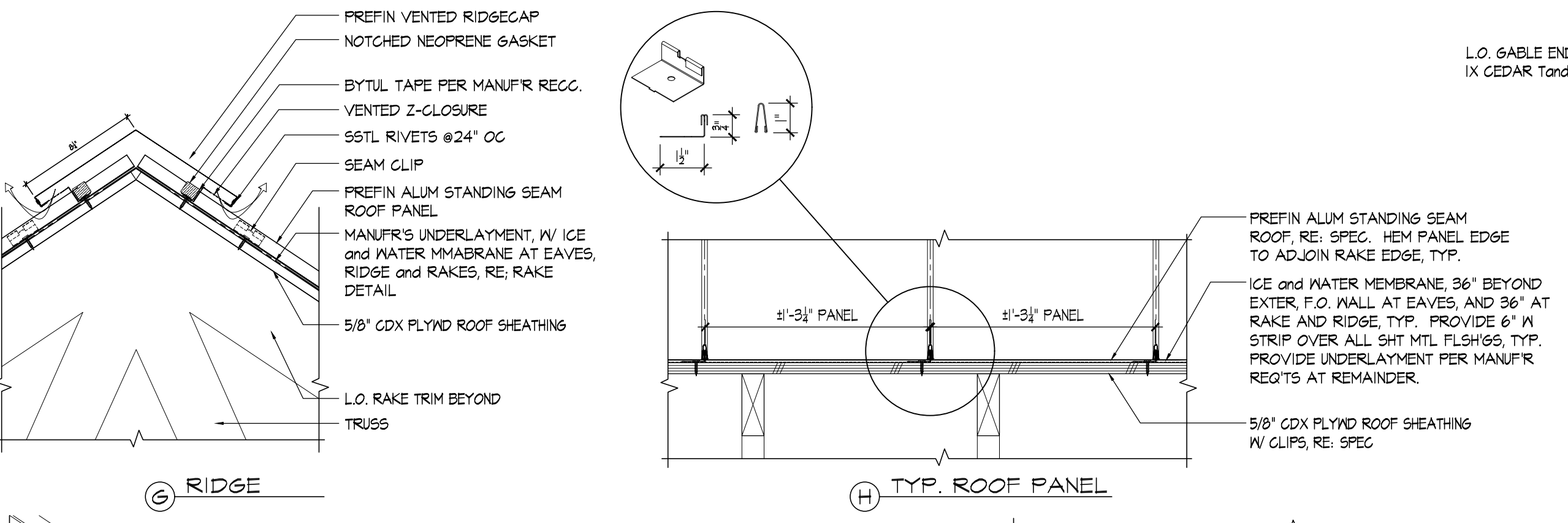
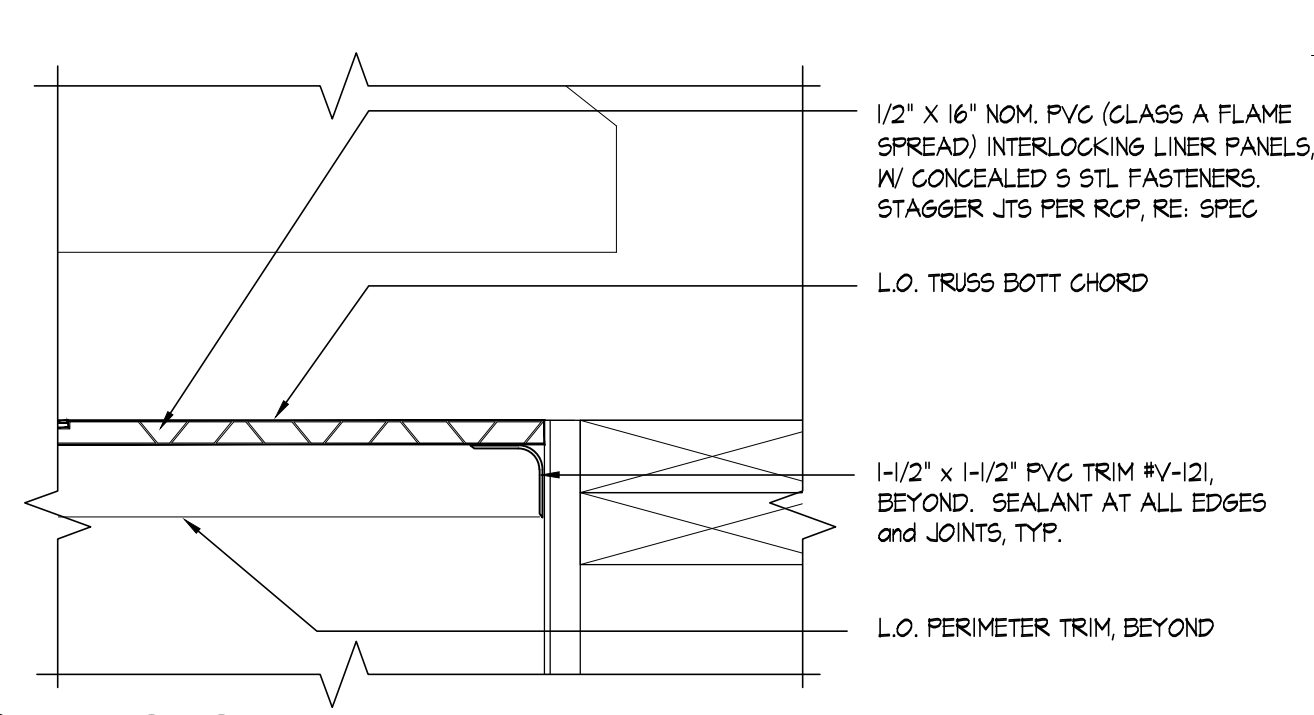
BREWSTER|ARCHITECTS
111 Oliver Road
Lebanon, Connecticut 06249
860.642.9997



IF THIS SHEET IS NOT 24 X 36, IT IS A REDUCED SCALE PRINT - SCALE ACCORDINGLY:

12 PVC Ceiling Detail

SCALE: 3" = 1'-0"



©2021 BREWSTER ARCHITECTS LLC. All rights reserved. No part of this document may be reproduced, stored in a retrieval system, or transmitted in any form or by any means, electronic, mechanical, photocopying, recording, or by any information storage and retrieval system, without the prior written permission of Brewster Architects, LLC. For more information, contact Brewster Architects, LLC at 860.642.9997.

13 Siding and Roofing Details

SCALE: 1-1/2" = 1'-0"

REVISIONS:	05OCT2021: Committee Revs: Toilet Rms. and Hardware
DATE:	28SEP2021
PROJECT NO:	21.006
DRAWN:	WWB
CHECKED:	ARC
ISSUED FOR:	
<input type="checkbox"/> PROGRAMMING	
<input type="checkbox"/> SCHEMATIC DESIGN	
<input type="checkbox"/> DESIGN DEVELOPMENT	
<input checked="" type="checkbox"/> BIDDING + CONSTRUCTION	
<input type="checkbox"/> PERMIT	
<input type="checkbox"/> PROGRESS ONLY - NOT FOR CONSTRUCTION	
FILE NAME:	21.006_TO Columbia Pavilion

SIDING and ROOFING DETAILS

A4.0

SCOPE:

THESE DRAWINGS ADDRESS THE FOUNDATION AND LATERAL FRAMING ELEMENTS OF THE STRUCTURE ONLY. THE COMPONENTS DETAILED HEREIN ARE TO BE INTEGRATED WITH THE ARCHITECTURAL PLANS. ANY DISCREPANCIES SHALL BE BROUGHT TO THE ATTENTION OF THE ENGINEER AND ARCHITECT. ALL OTHER STRUCTURAL COMPONENTS NOT DIRECTLY IMPACTED BY THIS WORK ARE NOT THE RESPONSIBILITY OF SOUZA STRUCTURAL ENGINEERING, LLC AND REMAIN OUTSIDE THE SCOPE OF THESE DRAWINGS.

BUILDING CODE:

2005 STATE BUILDING CODE, STATE OF CONNECTICUT WITH 2013 AMENDMENT
PORTIONS OF THE 2003 INTERNATIONAL BUILDING CODE

DESIGN DATA:

LIVE LOAD:
PRIVATE ROOMS AND CORRIDORS: 40 PSF
PUBLIC ROOMS AND CORRIDORS: 100 PSF

SNOW LOAD:
GROUND SNOW LOAD: Pg = 30 PSF
IMPORTANCE FACTOR: I = 1.0
EXPOSURE FACTOR: Ce = 1.0
TEMPERATURE FACTOR: Ct = 1.0
ROOF SNOW LOAD: Pf = 30 PSF

WIND LOAD:
BASIC WIND SPEED (3 SEC GUST) = 120 MPH
WIND IMPORTANCE FACTOR, Iw = 1.00
WIND EXPOSURE: B
INTERNAL PRESSURE COEF = ±0.18
COMPONENTS AND CLADDING: PER ASCE-7
WIND DIRECTIONALITY FACTOR, Kd = 0.85
TOPOGRAPHIC FACTOR, Ct = 1.0

MATERIAL PROPERTIES:

CONCRETE: Fc @ 28 DAYS = 4,500PSI

REINFORCEMENT: DEFORMED REINFORCING BARS - GRADE 60

ANCHOR RODS: F1554 GR 36 W/ STD NUT AND WASHER

DIMENSION LUMBER: MINIMUM OF No. 2 SPF MEETING THE FOLLOWING REQUIREMENTS:
E: 1.4e+06 PSI Fb: 875 PSI Ft: 450 PSI
Fc: 1,150 PSI Fc⊥: 425 PSI Fv: 135 PSI

GLULAM BEAMS: WARREN TRASK COMPANY "OUTSIDER BY BOOZERBEAM" 1.8E 2400Fd OR APPROVED OTHER MEETING THE FOLLOWING MINIMUM REQUIREMENTS:
E: 1.8e+06 PSI Fb: 2,400 PSI Fv: 300 PSI

GLULAM COLUMNS: WARREN TRASK COMPANY "OUTSIDER COLUMNS" #50/1.9E OR APPROVED OTHER MEETING THE FOLLOWING MINIMUM REQUIREMENTS:
E: 1.9e+06 PSI Fb: 2,100 PSI Fc: 2,300 PSI

SHEAR WALL SHEATHING: MINIMUM 1/2" WOOD STRUCTURAL PANELS

ALL LUMBER IN CONTACT WITH CONCRETE FOUNDATION WALLS ARE INTENDED TO BE PRESSURE TREATED.

ALL CLIPS, NAILS, SCREWS, OR ANY OTHER CONNECTOR IN CONTACT WITH PRESSURE TREATED LUMBER SHALL BE EITHER STAINLESS STEEL OR GALVANIZED.

CONCRETE:

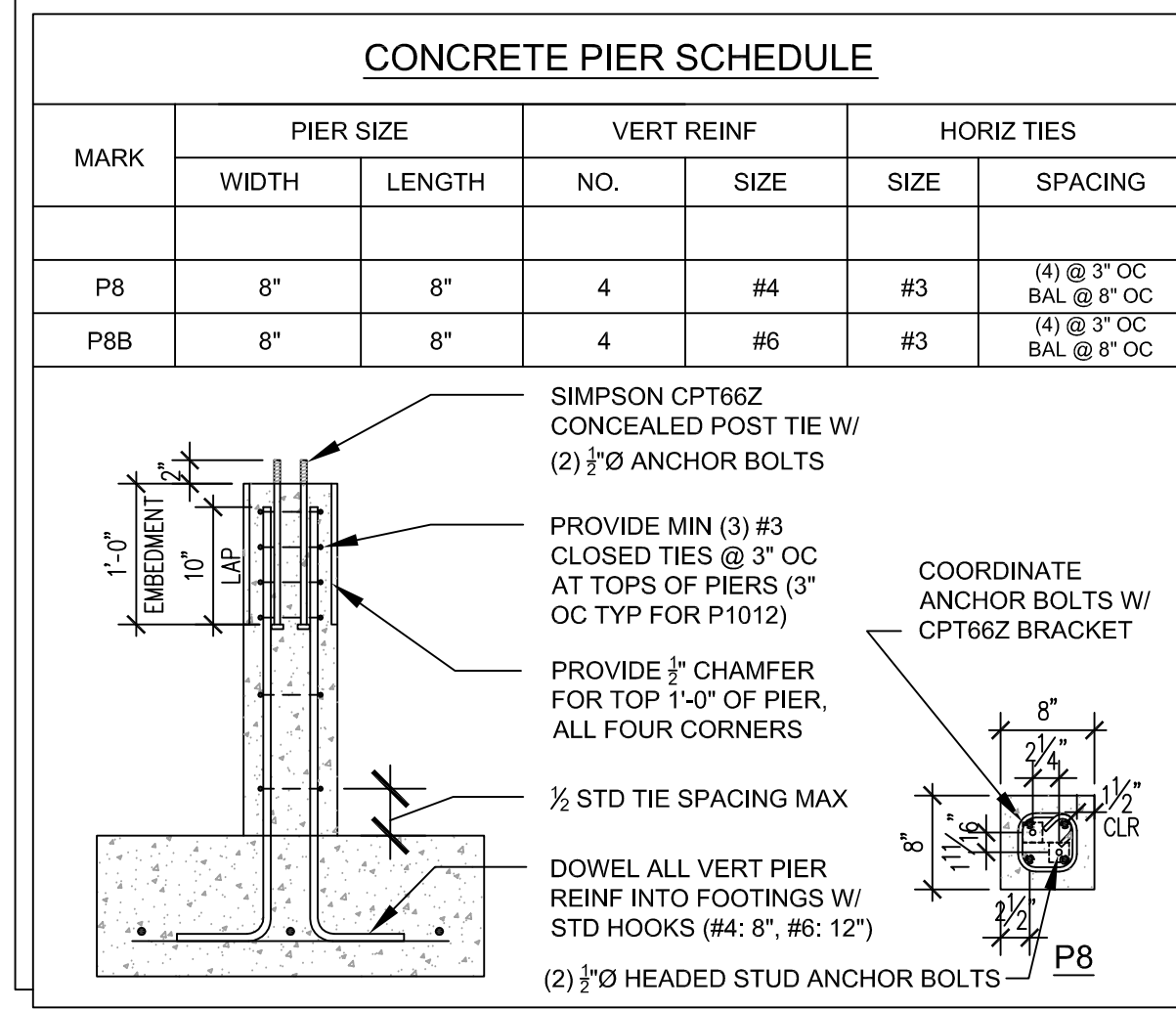
REINFORCING CLEAR COVER SHALL BE AS FOLLOWS UNLESS NOTED OTHERWISE:
CONCRETE CAST AGAINST AND PERMANENTLY EXPOSED TO EARTH: 3"
CONCRETE EXPOSED TO EARTH OR WEATHER:
#6 BARS AND LARGER: 2"
#5 BARS AND SMALLER: 1 1/2"
CONCRETE NOT EXPOSED TO WEATHER OR IN CONTACT WITH GROUND: 1 1/2"

FASTENING SCHEDULE:

BUILT-UP GIRDS AND BEAMS: USE (3) 16d COMMON NAILS FACE NAILED @ 6" OC, STAGGER OPPOSITE FACES.
SHEATHING (FLOORS, ROOFS, AND WALLS OTHER THAN SHEAR WALLS): USE 10d COMMON NAILS @ 12" OC AT INTERMEDIATE SUPPORTS AND @ 6" OC AT PANEL EDGES.

CONSTRUCTION:

CONTRACTOR RESPONSIBLE FOR MEANS AND METHODS OF INSTALLATION.
CONTRACTOR RESPONSIBLE FOR CONFIRMING GEOMETRY PRIOR TO START OF WORK.
NEW FOUNDATIONS SHALL BEAR ON UNDISTURBED SOIL WITH A MINIMUM BEARING CAPACITY OF 2,500 PSF.
CALL STRUCTURAL ENGINEER TO INSPECT:
* PRIOR TO CONCRETE POURS
* COMPLETED STRUCTURAL WORK PRIOR TO WORK BEING COVERED BY FINISHES.



MARK	DIMENSIONS			BOTTOM REINFORCEMENT	ADDITIONAL NOTES
	WIDTH	LENGTH	DEPTH		
F3.0	3'-0"	3'-0"	10"	(3) #5 EW	
F5.0x6.0	5'-0"	6'-0"	10"	(5) #5 LW (6) #5 SW	TOP REINF (5) #5 LW

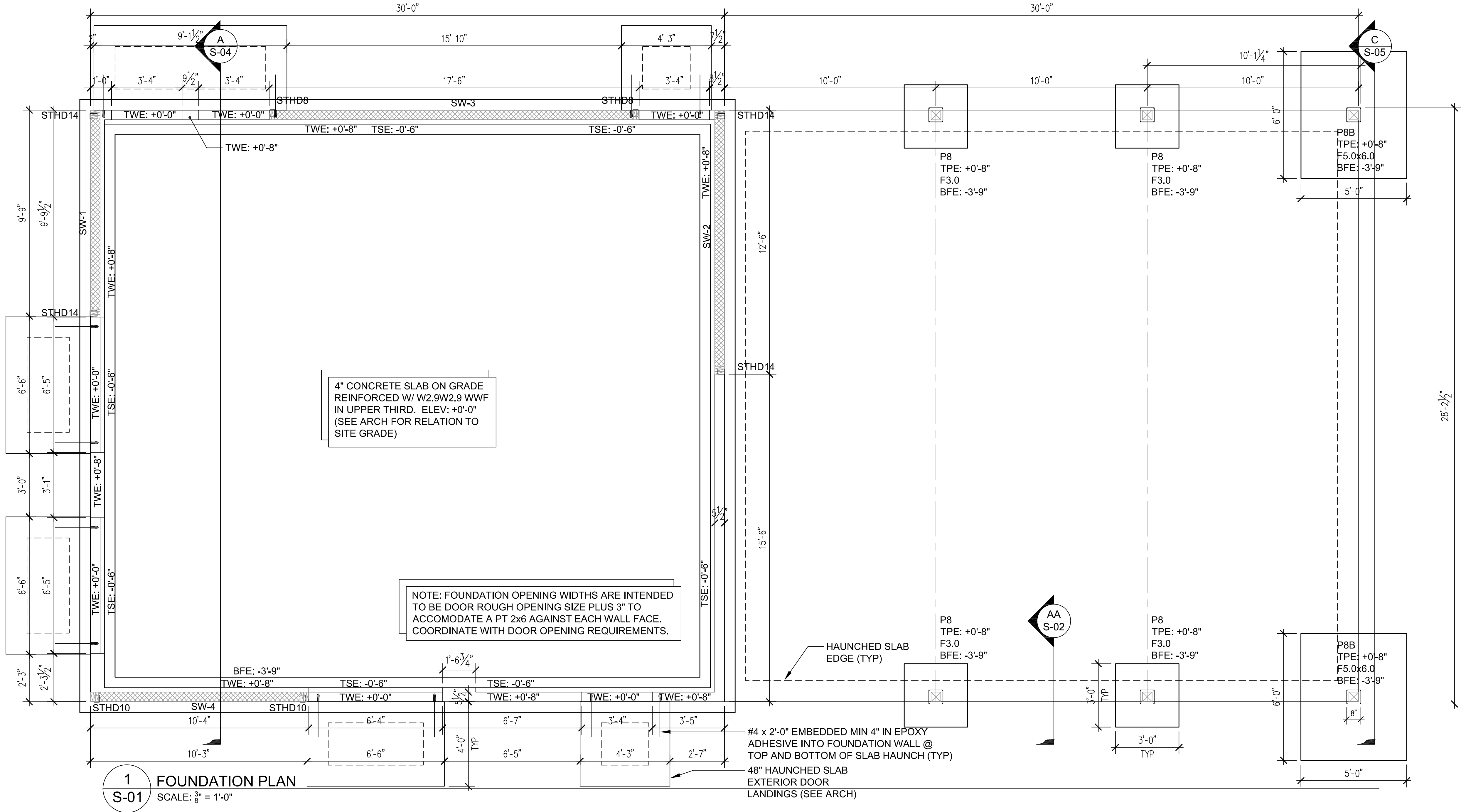
IN THE EVENT THAT UNSUITABLE SOILS ARE ENCOUNTERED, NOTIFY THE ENGINEER OF RECORD IMMEDIATELY SO THAT A SUITABLE SOLUTION CAN BE INCLUDED IN THE CONTRACT DOCUMENTS

CONCRETE REINFORCING STEEL SPLICE LENGTH SCHEDULE: 4500 PSI

BAR SIZE	HORIZONTAL BARS	VERTICAL BARS
#3	1'-11"	1'-6"
#4	2'-7"	2'-0"
#5	3'-2"	2'-6"
#6	3'-10"	2'-11"
#7	5'-7"	4'-3"
#8	6'-4"	4'-11"

ABBREVIATIONS

@	AT
BFE	BOTTOM OF FOOTING ELEVATION
CONT	CONTINUOUS
COORD	COORDINATE
d	PENNY-WEIGHT NAIL EACH
EA	EACH WAY
ELEV	ELEVATION
EW	LONG WAY
HG	HOT-DIPPED GALVANIZED
LW	LONG WAY
MAX	MAXIMUM
MIN	MINIMUM
OC	ON CENTER
PL	PLATE
PSF	POUNDS-PER-SQUARE
	FOOT
PT	PRESSURE-TREATED
SIM	SIMILAR
STD	STANDARD
SW	SHORT WAY
TPE	TOP OF PIER ELEVATION
TSE	TOP OF SHELF ELEVATION
TWE	TOP OF WALL ELEVATION
TYP	TYPICAL
UON	UNLESS OTHERWISE NOTED
VERT	VERTICAL
W/	WITH
WWF	WELDED WIRE FABRIC
Ø	DIAMETER



1 FOUNDATION PLAN
SCALE: 3/8" = 1'-0"

project name
RECREATION PARK PAVILION
HENNEQUIN ROAD
COLUMBIA, CONNECTICUT

Souza STRUCTURAL ENGINEERING, LLC
PO Box 475
Manchester, CT 06045
(860) 338-1702

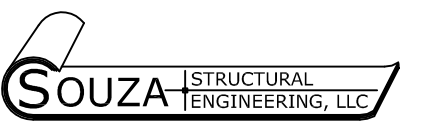
NO.	MD/Y	ISSUED FOR

date:
9/28/2021

scale:
AS NOTED

project #:
21-019

drawing:
NOTES & FOUNDATION
S-01



NO.	MD/Y	ISSUED FOR

date:
9/28/2021

scale:
AS NOTED

project #:
21-019

drawing:
LATERALS & WALLS

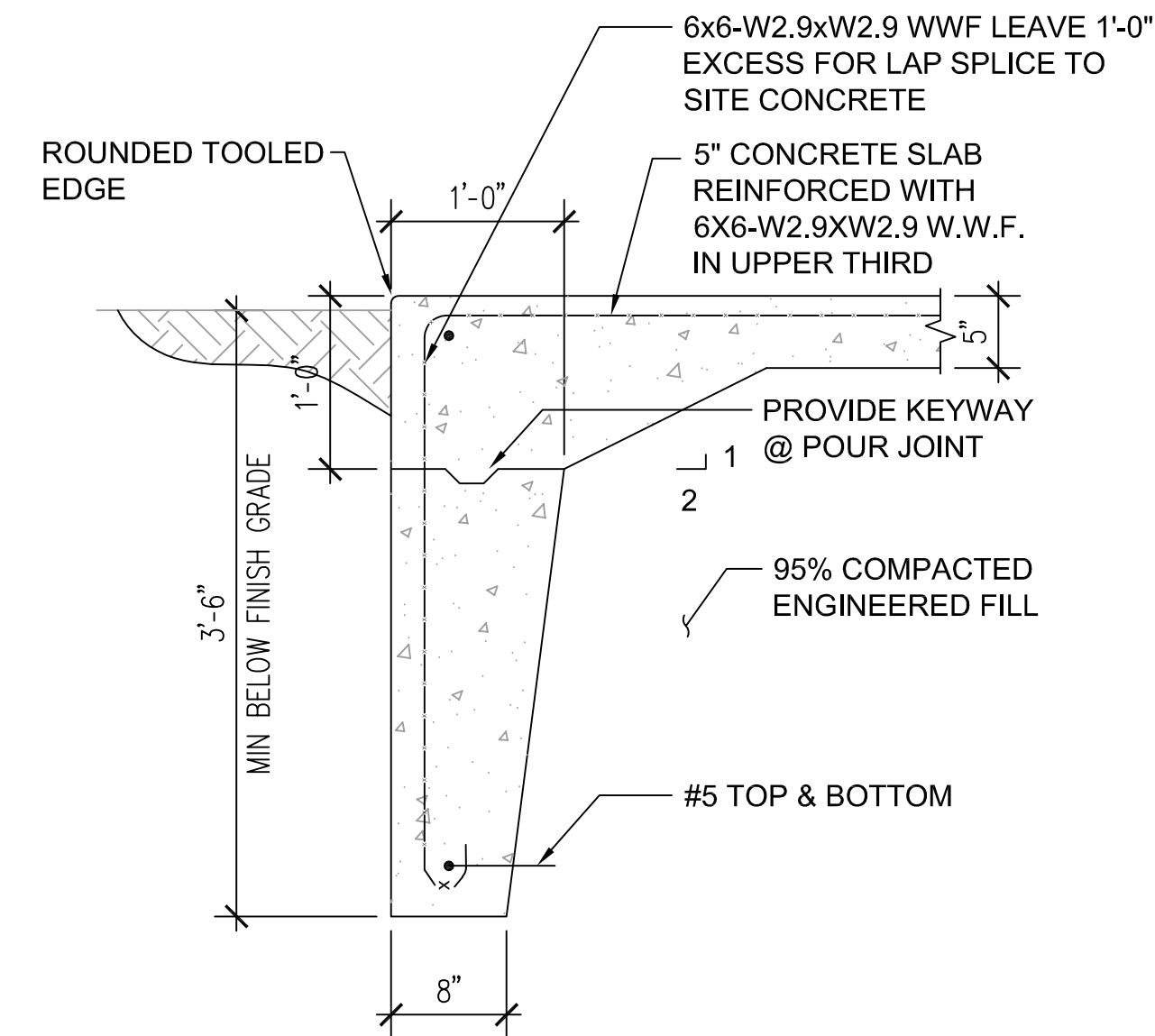
S-02

SHEARWALL SUMMARY CHART

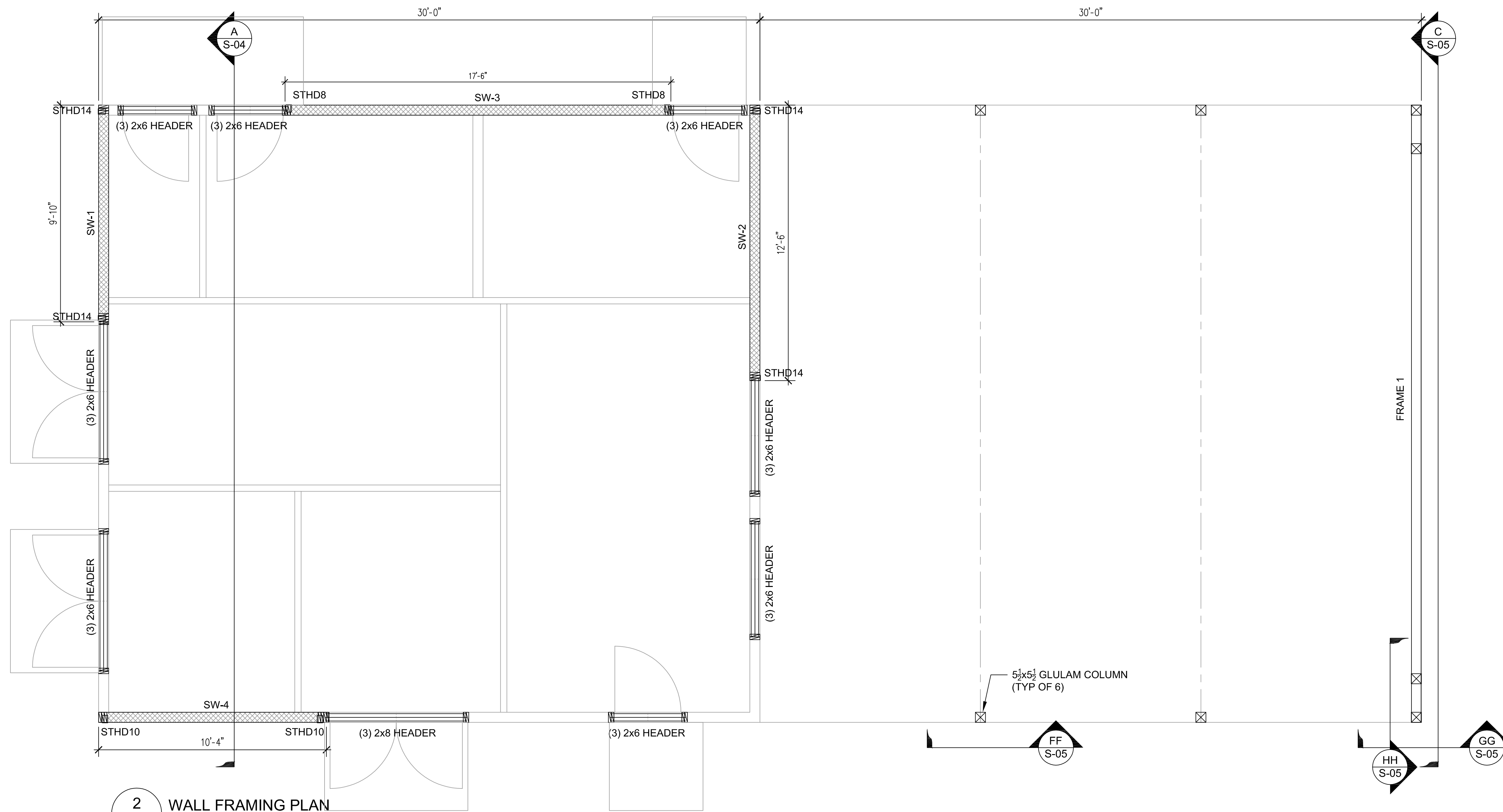
SHEARWALL	MIN WALL LENGTH (FT)	CHORD MEMBER	CHORD ATTACHMENT	SHEATHING ATTACHMENT	BOTTOM PLATE ATTACHMENT
SW-1	9'-9 $\frac{1}{2}$ "	3.17 K (3) 2x6	-2.80 K STHD14 (30 - 0.148x3 $\frac{1}{2}$) NAILS)	$\frac{15}{16}$ " BLOCKED 8d @ : 4" EDGE 12" INTERMEDIATE	367 PLF $\frac{1}{2}$ " ANCHORS @ 2'-6" OC
SW-2	12'-6"	3.83 K (3) 2x6	-3.83 K STHD14 (30 - 0.148x3 $\frac{1}{2}$) NAILS)	$\frac{15}{16}$ " BLOCKED 8d @ : 3" EDGE 12" INTERMEDIATE	501 PLF $\frac{1}{2}$ " ANCHORS @ 2'-0" OC
SW-3	17'-3"	1.71 K (2) 2x6	-1.06 K LSTHD8 (20 - 0.148x3 $\frac{1}{2}$)	$\frac{15}{16}$ " BLOCKED 8d @ : 6" EDGE 12" INTERMEDIATE	163 PLF $\frac{1}{2}$ " ANCHORS @ 6'-0" OC (USE 3)
SW-4	10'-3 $\frac{1}{2}$ "	2.46 K (3) 2x6	-2.07 K STHD10 (28 - 0.148x3 $\frac{1}{2}$) NAILS)	$\frac{15}{16}$ " BLOCKED 8d @ : 6" EDGE 12" INTERMEDIATE	278 PLF $\frac{1}{2}$ " ANCHORS @ 3'-0" OC

SHEARWALL NOTES:

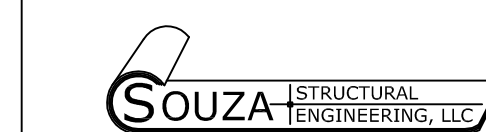
1. WHEN INSTALLING STRAPS PROVIDE HALF THE REQUIRED NAILS INTO CHORD MEMBER ABOVE FLOOR FRAMING AND HALF INTO CHORD MEMBER BELOW FLOOR FRAMING.
2. STRAPS MAY BE INSTALLED OVER OR UNDER WALL SHEATHING. WHEN INSTALLING OVER WALL SHEATHING ENSURE THAT NAILS USED ARE A MINIMUM OF 2 $\frac{1}{2}$ " LONG.
3. WHEN INSTALLING STRAPS BENEATH SHEATHING, LEAVE A MINIMUM OF 2" OF CHORD EXPOSED TOWARD THE ENDS OF THE SHEARWALL TO ALLOW SUFFICIENT ROOM TO NAIL SHEATHING TO CHORD MEMBER.
4. WALLS ARE INTENDED TO BE SHEATHED ON THE EXTERIOR FACE OF THE WALL FOR THE FULL EXTENT OF THE SHEAR WALL.



AA HAUNCHED SLAB DETAIL
S-02 SCALE: 1" = 1'-0"



2 WALL FRAMING PLAN
S-02 SCALE: $\frac{3}{8}$ " = 1'-0"



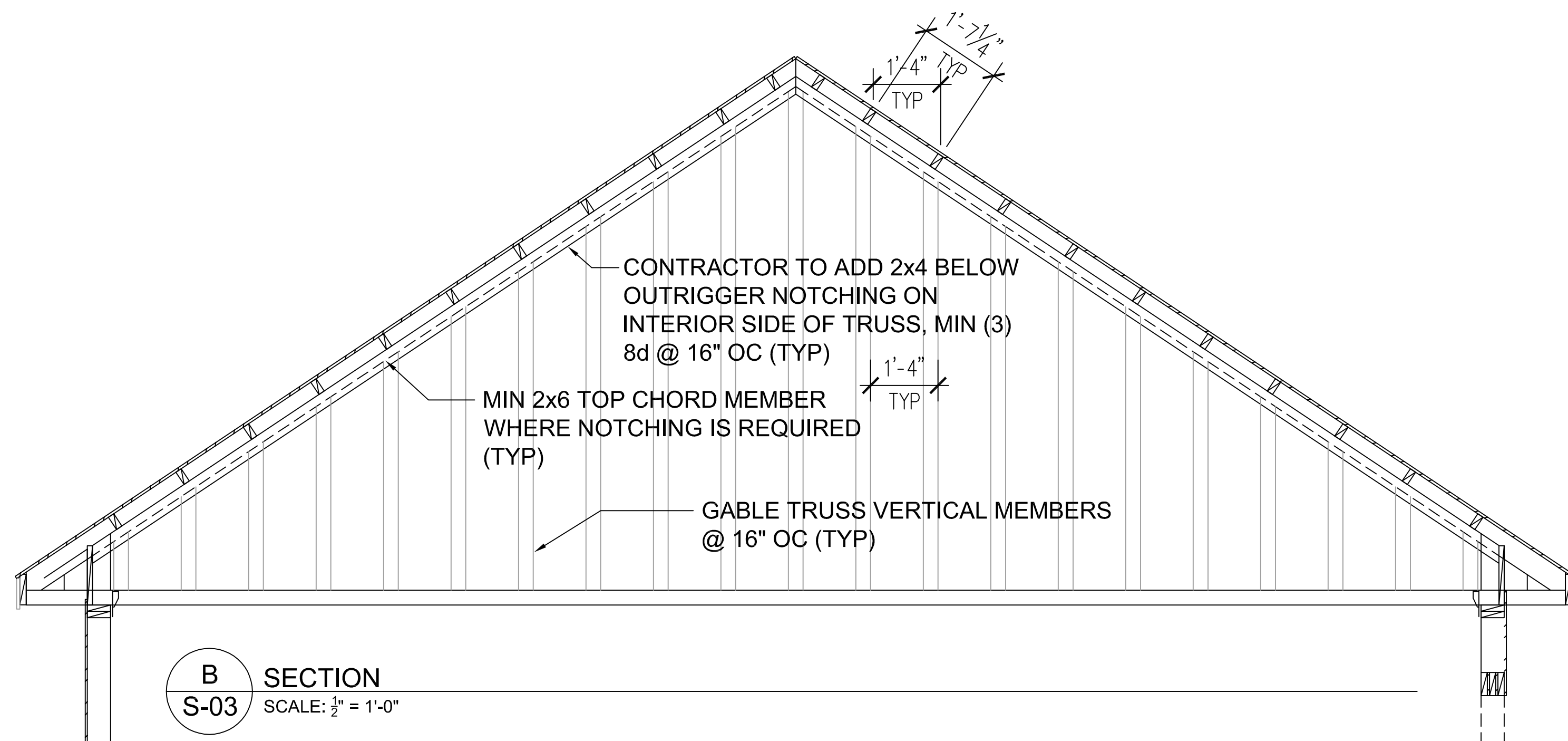
NO.	MD/Y	ISSUED FOR

date:
9/28/2021

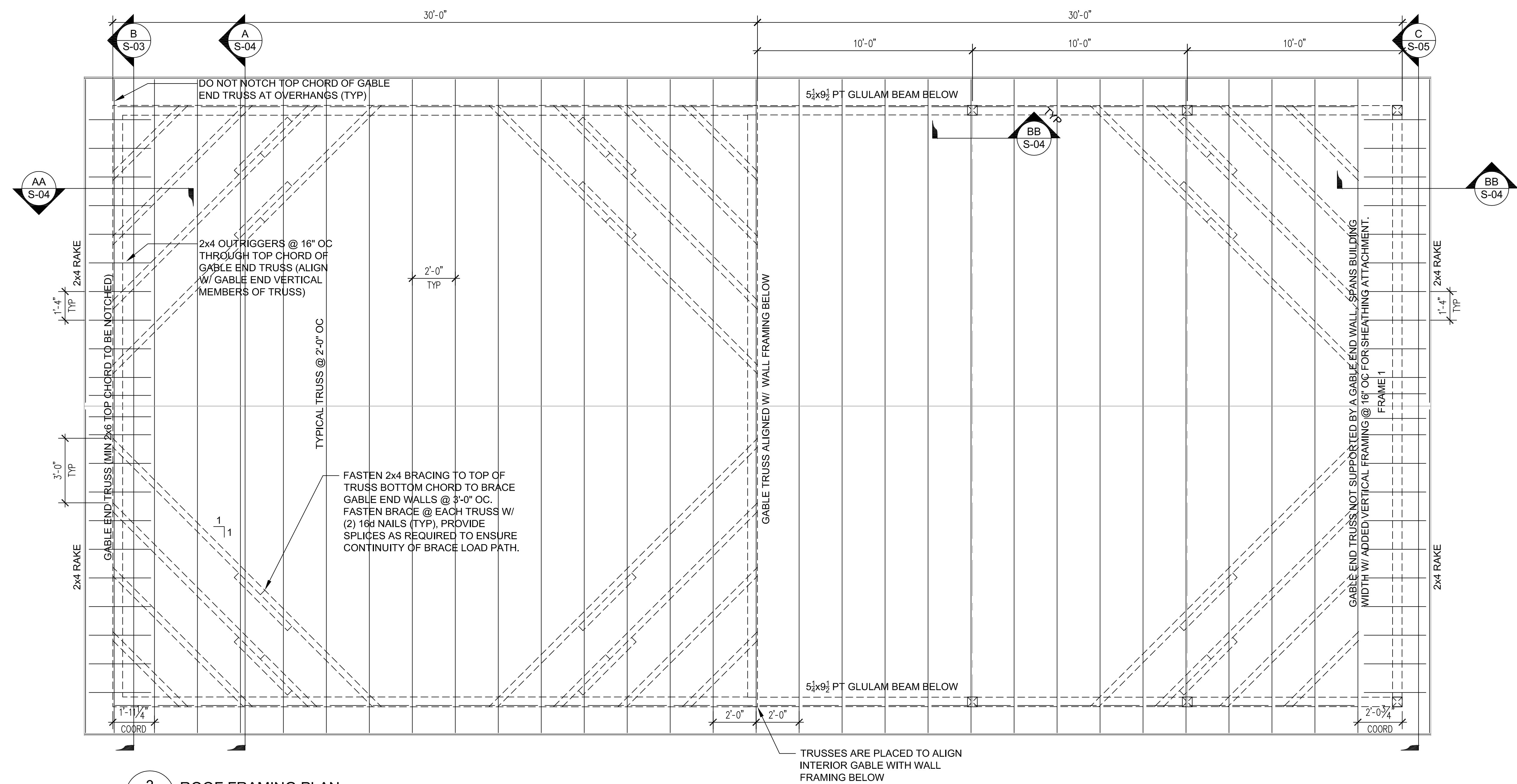
scale:
AS NOTED

project #:
21-019

drawing:
ROOF
S-03



B
S-03
SCALE: 1/2" = 1'-0"

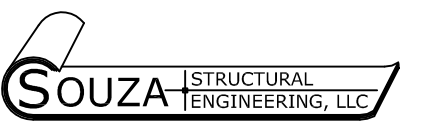


3
S-03
SCALE: 3/8" = 1'-0"

TRUSSES ARE PLACED TO ALIGN INTERIOR GABLE WITH WALL FRAMING BELOW

RECREATION PARK PAVILION

HENNEQUIN ROAD
COLUMBIA, CONNECTICUT



PO Box 475
Manchester, CT 06045

(860) 338-1702

NO.	MD/Y	ISSUED FOR

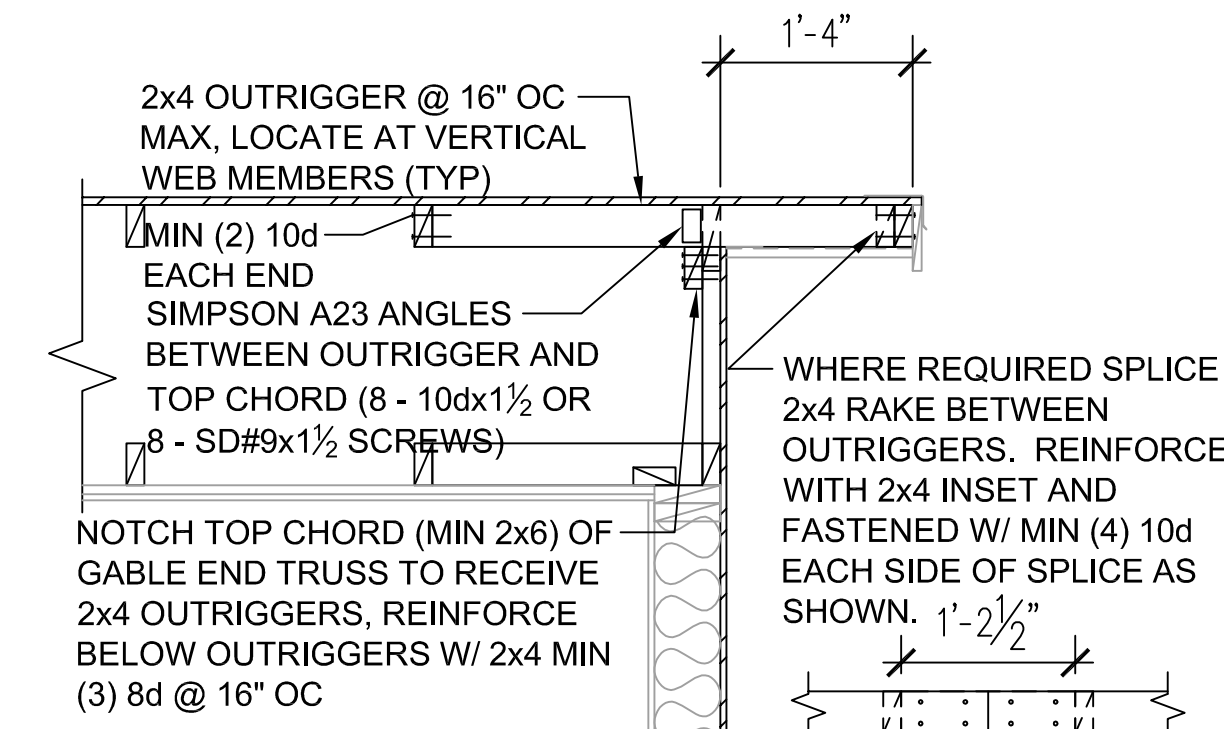
date:
9/28/2021

scale:
AS NOTED

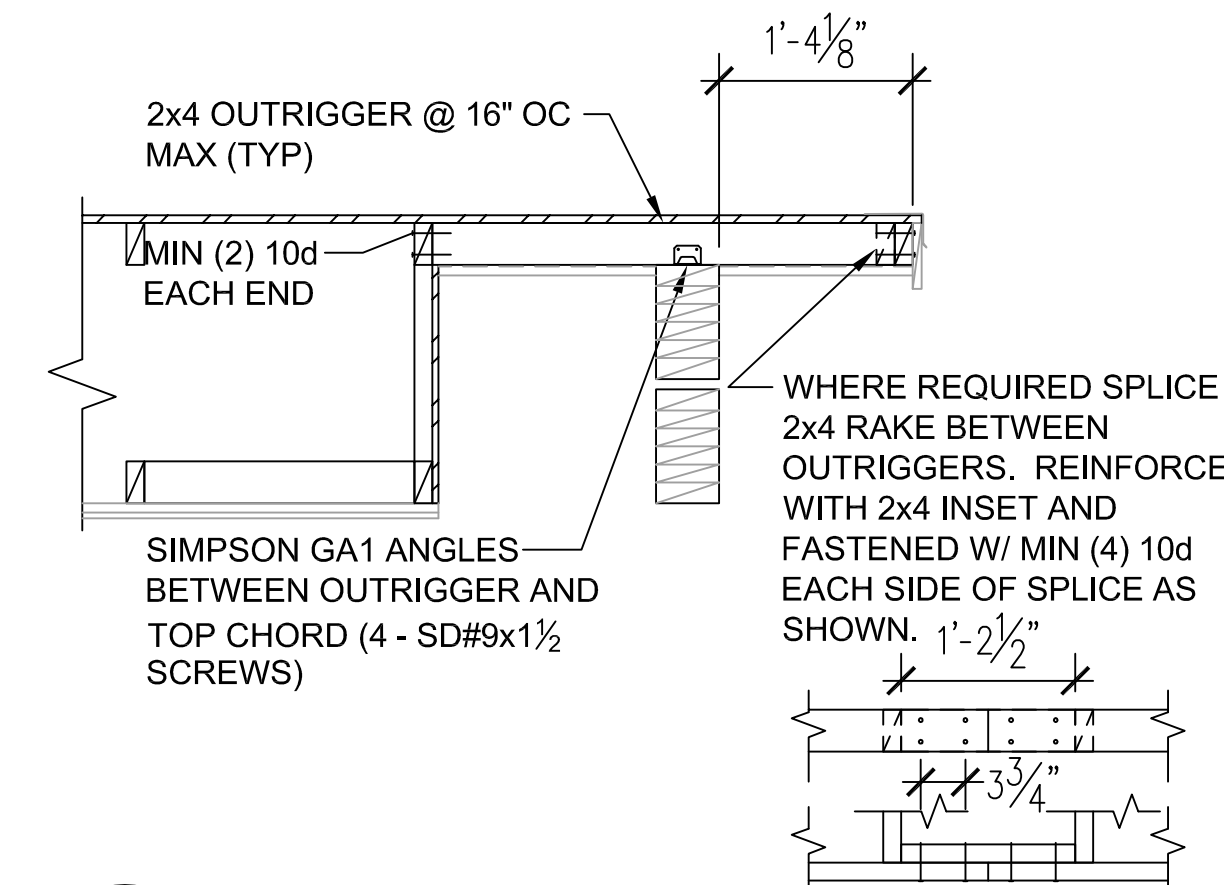
project #:
21-019

drawing:
SECTION & DETAILS

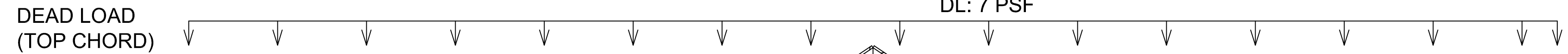
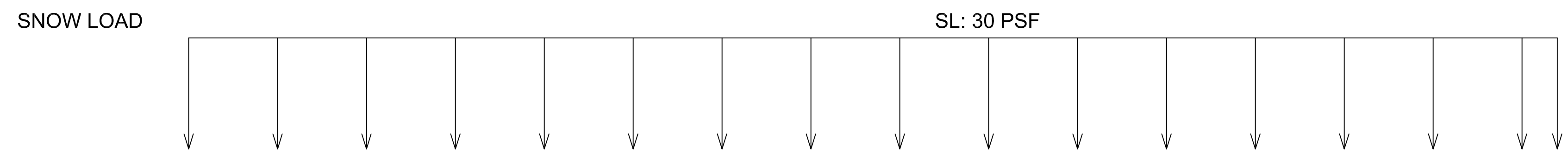
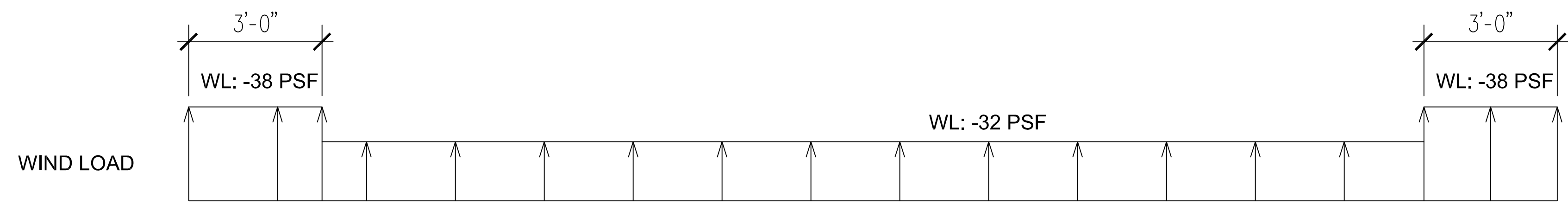
S-04



AA TYPICAL GABLE OVERHANG DETAIL
SCALE: ¾" = 1'-0"



BB TYPICAL GABLE OVERHANG DETAIL
SCALE: ¾" = 1'-0"



TRUSS DESIGN INFORMATION:

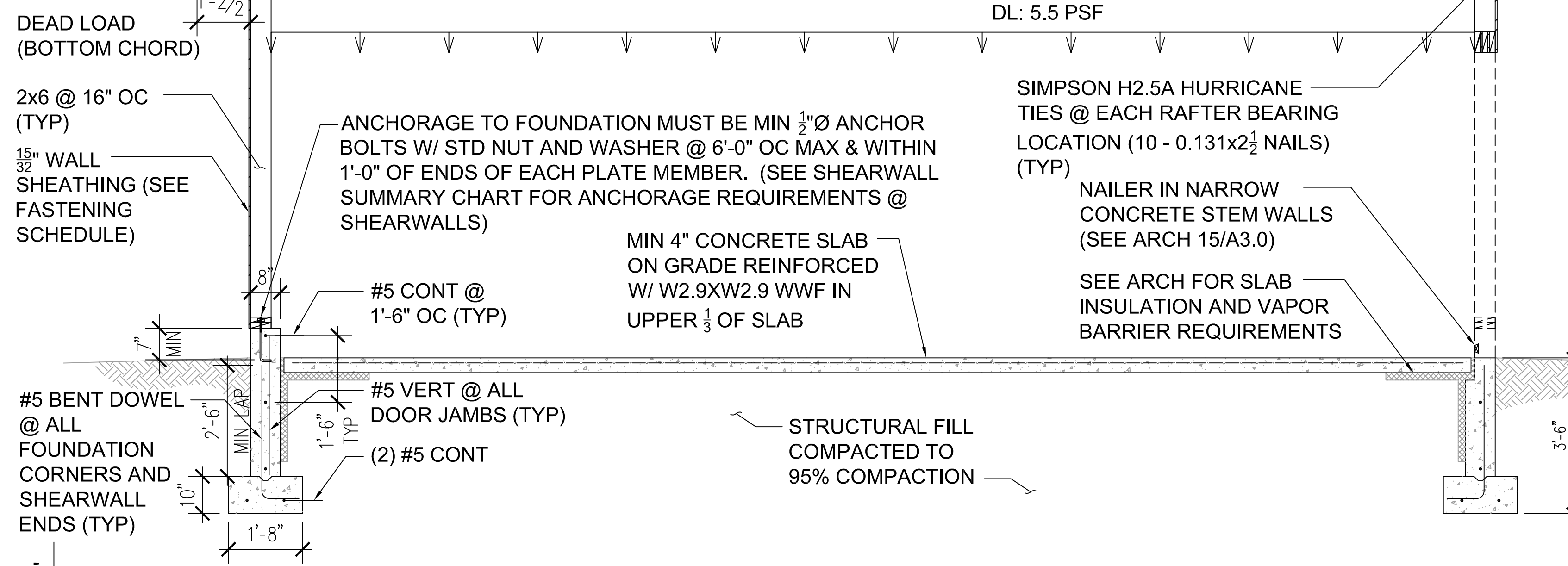
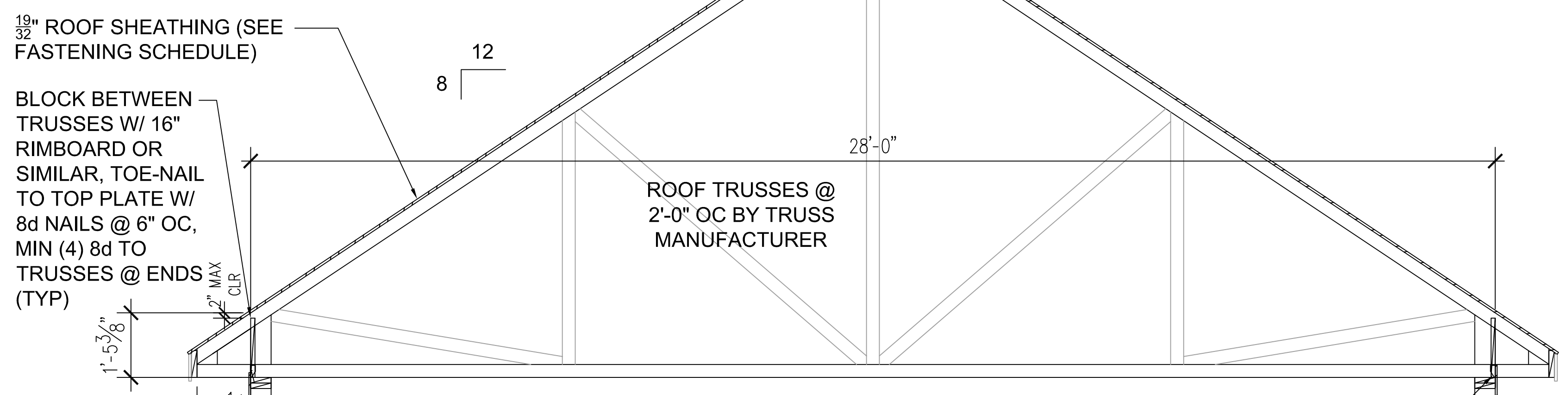
DESIGN LOADS AND LOAD COMBINATIONS FROM ASCE 7-10
LIVE LOAD DEFLECTION LIMIT: L/360 * NOTE: THESE LIMITS EXCEED CODE MINIMUMS
TOTAL LOAD DEFLECTION LIMIT: L/240

WIND LOADING:
WIND SPEED: Vult=130MPH
ENCLOSURE CLASSIFICATION: ENCLOSED
CATEGORY: II
EXPOSURE: C

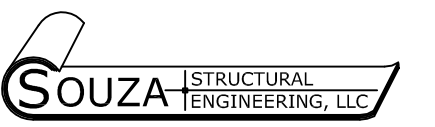
SNOW LOADING:
GROUND SNOW LOAD Pg=30 PSF
EXPOSURE: B, PARTIALLY EXPOSED
TEMPERATURE FACTOR: Ct=1.2
FLAT ROOF SNOW LOAD Pf=30 PSF
ROOF SLOPE FACTOR: Cs=1.0

* TRUSS IS INTENDED TO HAVE METAL ROOF, BUT DESIGN IS FOR SHINGLES TO ALLOW FOR HIGHER DEAD AND SNOW LOADS.

* TRUSS DESIGNER TO SUBMIT TRUSS DESIGN TO ENGINEER FOR APPROVAL PRIOR TO FABRICATION



A SECTION
S-04 SCALE: ½" = 1'-0"



NO.	MD/Y	ISSUED FOR

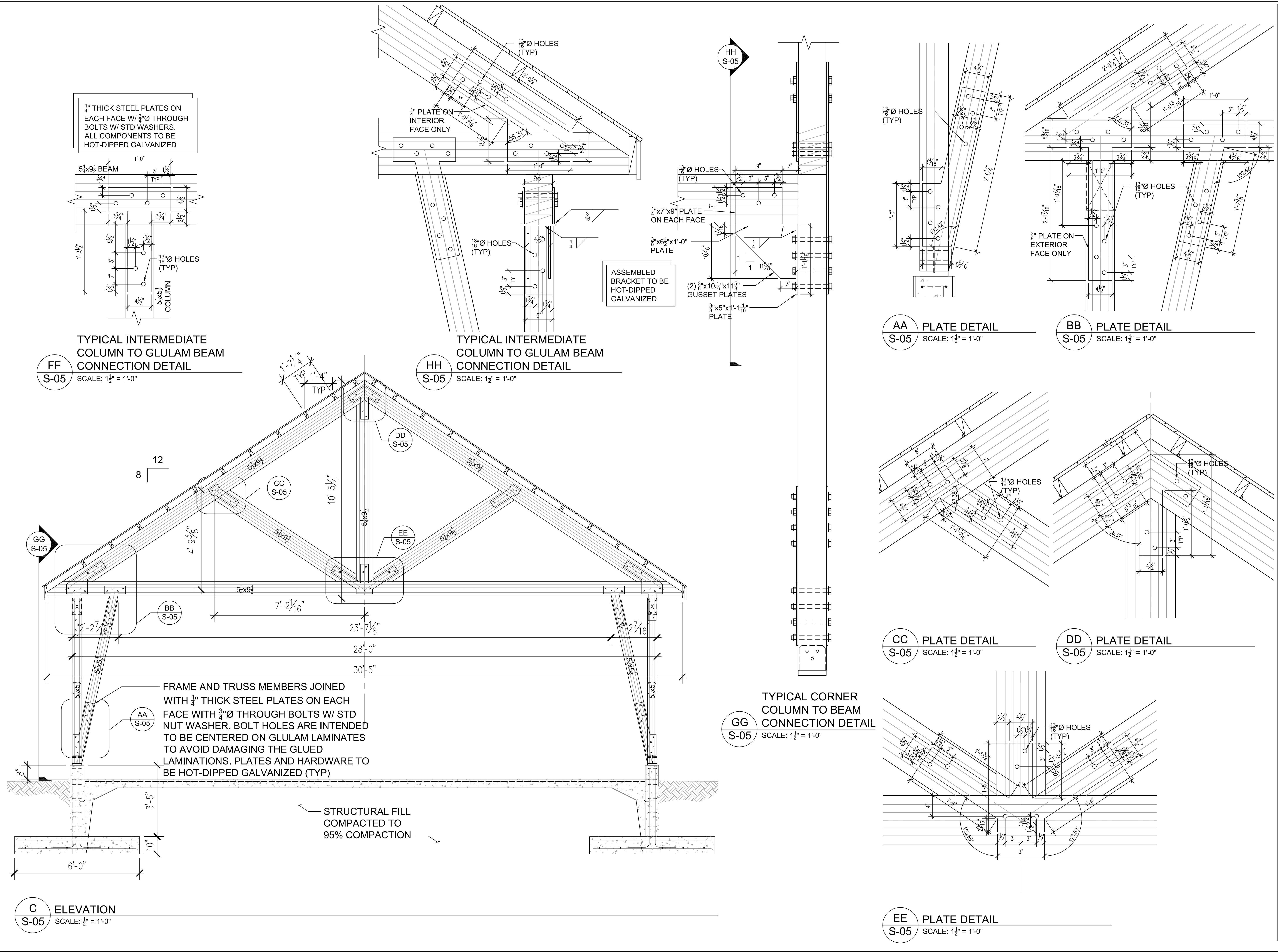
date:
9/28/2021

scale:
AS NOTED

project #:
21-019

drawing:
SECTION & DETAILS

S-05



3/4" THICK STEEL PLATES ON EACH FACE W/ 3/4" Ø THROUGH BOLTS W/ STD WASHERS. ALL COMPONENTS TO BE HOT-DIPPED GALVANIZED

1/2" PLATE ON INTERIOR FACE ONLY

ASSEMBLED BRACKET TO BE HOT-DIPPED GALVANIZED

1/2" x 7" x 9" PLATE ON EACH FACE

3/8" x 6 1/2" x 1'-0" PLATE

(2) 3/8" x 10 1/8" x 1 1/8" GUSSET PLATES

3/8" x 5" x 1'-1 1/8" PLATE

FRAME AND TRUSS MEMBERS JOINED WITH 1/4" THICK STEEL PLATES ON EACH FACE WITH 3/4" Ø THROUGH BOLTS W/ STD NUT WASHER. BOLT HOLES ARE INTENDED TO BE CENTERED ON GLULAM LAMINATES TO AVOID DAMAGING THE GLUED LAMINATIONS. PLATES AND HARDWARE TO BE HOT-DIPPED GALVANIZED (TYP)

STRUCTURAL FILL COMPACTED TO 95% COMPACTION

FF S-05 TYPICAL INTERMEDIATE COLUMN TO GLULAM BEAM CONNECTION DETAIL SCALE: 1 1/2" = 1'-0"

HH S-05 TYPICAL INTERMEDIATE COLUMN TO GLULAM BEAM CONNECTION DETAIL SCALE: 1 1/2" = 1'-0"

AA S-05 PLATE DETAIL SCALE: 1 1/2" = 1'-0"

BB S-05 PLATE DETAIL SCALE: 1 1/2" = 1'-0"

CC S-05 PLATE DETAIL SCALE: 1 1/2" = 1'-0"

DD S-05 PLATE DETAIL SCALE: 1 1/2" = 1'-0"

GG S-05 TYPICAL CORNER COLUMN TO BEAM CONNECTION DETAIL SCALE: 1 1/2" = 1'-0"

EE S-05 PLATE DETAIL SCALE: 1 1/2" = 1'-0"

C S-05 ELEVATION SCALE: 1/2" = 1'-0"